



COLOR Series DMX / RDM Mapping

Firmware Version

- | | |
|--------------------------------|--------------------------------|
| - Q3 COLOR-LR – V4.0 or newer | - P3 COLOR – V2.0 or newer |
| - Q5 COLOR – V2.0 or newer | - G3 COLOR – V4.0 or newer |
| - Q6 COLOR – V4.0 or newer | - G6 COLOR – V4.0 or newer |
| - Q8 COLOR-LR – V2.0 or newer | - K10 COLOR – V4.0 or newer |
| - Q10 COLOR-LR – V2.0 or newer | - Matrix COLOR – V2.0 or newer |
| | - QUAD COLOR – V2.0 or newer |

Table of Contents	Page
DMX Modes	<u>2</u>
RDM Commands	<u>60</u>

DMX Modes

P3 COLOR / Q3 COLOR-LR / Q5 COLOR / Q6 COLOR / Q8 COLOR-LR / Q10 COLOR-LR / G3 COLOR / G6 COLOR / K10 COLOR / Matrix COLOR / QUAD COLOR

Standard Modes

Mode	8-bit (DMX Footprint)	16-bit (DMX Footprint)	Page
CCT	Mode 1 (6)	Mode 9 (10)	<u>5</u>
HSI*	Mode 2 (6)	Mode 10 (10)	<u>6</u>
RGBW*	Mode 3 (8)	Mode 11 (14)	<u>7</u>
CIExy	Mode 6 (6)	Mode 14 (10)	<u>8</u>
GEL	Mode 7 (6)	Mode 15 (8)	<u>9</u>
RGB*	Mode 40 (6)	Mode 45 (9)	<u>10</u>

CCT Modes

CCT modes allow white point adjustment using the “CCT” and “Green Adjust” parameters.

CCTHSI**	Mode 4 (9)	Mode 12 (16)	<u>11</u>
CCTRGBW**	Mode 5 (11)	Mode 13 (20)	<u>12</u>
CCTxy***	Mode 41 (9)	Mode 46 (15)	<u>13</u>

ICT Modes

ICT modes allow white point adjustment like CCT+ modes, but without a “Crossfade” parameter.

ICTHS**	Mode 42 (9)	Mode 47 (14)	<u>14</u>
ICTRGBW**	Mode 43 (11)	Mode 48 (18)	<u>15</u>
ICTxy***	Mode 44 (9)	Mode 49 (14)	<u>16</u>

EZ Modes

EZ modes do not include “Fan Setting”, “Dimming Setting”, or “Strobe Frequency” parameters, shortening the DMX footprint.

EZ CCT	Mode 50 (3)	Mode 63 (6)	<u>17</u>
EZ HSI*	Mode 51 (3)	Mode 64 (6)	<u>17</u>
EZ RGBW*	Mode 52 (5)	Mode 65 (10)	<u>17</u>
EZ CIExy	Mode 55 (3)	Mode 68 (6)	<u>18</u>
EZ CCTHSI**	Mode 53 (6)	Mode 66 (12)	<u>18</u>
EZ CCTRGBW**	Mode 54 (8)	Mode 67 (16)	<u>18</u>
EZ CCTxy***	Mode 57 (6)	Mode 70 (12)	<u>19</u>
EZ ICTHS**	Mode 58 (5)	Mode 71 (10)	<u>19</u>
EZ ICTRGBW**	Mode 59 (7)	Mode 72 (14)	<u>19</u>
EZ ICTxy***	Mode 60 (5)	Mode 73 (10)	<u>20</u>
EZ RGB*	Mode 56 (3)	Mode 69 (6)	<u>20</u>
EZ 3200K	Mode 61 (1)	Mode 74 (2)	<u>20</u>
EZ 5600K	Mode 62 (1)	Mode 75 (2)	<u>20</u>

ALL Modes

Mode	8-bit (DMX Footprint)	16-bit (DMX Footprint)	Page
ALL MODES	Mode 76 (12)	Mode 77 (20)	21

K10 COLOR / Matrix COLOR / QUAD COLOR Only (DMX Control Only)

PXL4 Modes

Mode	8-bit (DMX Footprint)	16-bit (DMX Footprint)	Page
PXL4 CIExy	Mode 19 (15)	Mode 22 (28)	25
PXL4 CCTHSI **	Mode 17 (27)	Mode 20 (52)	26
PXL4 CCTRGBW **	Mode 18 (35)	Mode 21 (68)	28
PXL4 CCTxy ***	Mode 80 (27)	Mode 84 (51)	30
PXL4 ICTHS **	Mode 81 (24)	Mode 85 (44)	32
PXL4 ICTRGBW **	Mode 82 (32)	Mode 86 (60)	33
PXL4 ICTxy ***	Mode 83 (24)	Mode 87 (44)	35
PXL4 EZ CCT	Mode 88 (12)	Mode 92 (24)	36
PXL4 EZ HSI *	Mode 89 (12)	Mode 93 (24)	36
PXL4 EZ RGBW *	Mode 90 (20)	Mode 94 (40)	37
PXL4 EZ RGB *	Mode 91 (12)	Mode 95 (24)	38

QUAD COLOR Only (DMX Control Only)

PXL16 Modes

Mode	8-bit (DMX Footprint)	16-bit (DMX Footprint)	Page
PXL16 CIExy	Mode 102 (51)	Mode 105 (99)	39
PXL16 CCTHSI **	Mode 100 (99)	Mode 103 (195)	41
PXL16 CCTRGBW **	Mode 101 (131)	Mode 104 (259)	43
PXL16 CCTxy ***	Mode 106 (99)	Mode 110 (195)	46
PXL16 ICTHS **	Mode 107 (84)	Mode 111 (164)	48
PXL16 ICTRGBW **	Mode 108 (116)	Mode 112 (228)	50
PXL16 ICTxy ***	Mode 109 (84)	Mode 113 (164)	53
PXL16 EZ CCT	Mode 114 (48)	Mode 118 (96)	55
PXL16 EZ HSI *	Mode 115 (48)	Mode 119 (96)	56
PXL16 EZ RGBW *	Mode 116 (80)	Mode 120 (160)	57
PXL16 EZ RGB *	Mode 117 (48)	Mode 121 (96)	59

Notes

- * HSI, RGBW and RGB modes are based on a white point of 6500K. For instance, in HSI mode, when "Saturation"=0%, the fixture produces 6500K white.
- ** In CCTHSI, CCTRGBW, ICTHS and ICTRGBW modes, the white point is determined and can be adjusted by the "CCT" and "Green Adjust" parameters. This applies at any "Crossfade" value in CCTHSI and CCTRGBW modes. The following scenarios illustrate how white point is determined by the "CCT" parameter, given all other parameters being the same.

Scenario 1: In CCTRGBW modes, the following settings produce the 3200K white. Notice that the white remains the same regardless of the "Crossfade" parameter.

CCT=3200K, Xfade=0% &

CCT=3200K, Xfade=100%, W=100% &

CCT=3200K, Xfade=100%, RGB=100% &

CCT=3200K, Xfade=100, RGBW=100%

Scenario 2: In CCTHSI modes, the following settings produce 2800K and 5600K white respectively. Notice that "CCT" is the only differentiating parameter, even when "Crossfade"=100%.

(2800K white) CCT=2800K, Xfade=100%, Sat=0%

(5600K white) CCT=5600K, Xfade=100%, Sat=0%

Scenario 3: In ICTRGBW modes, the following settings produce 3200K and 6500K white respectively. Notice that the "CCT" is the only differentiating parameter.

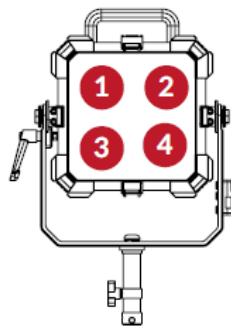
(3200K output) CCT=3200K, RGBW=100%

(5600K output) CCT=6500K, RGBW=100%

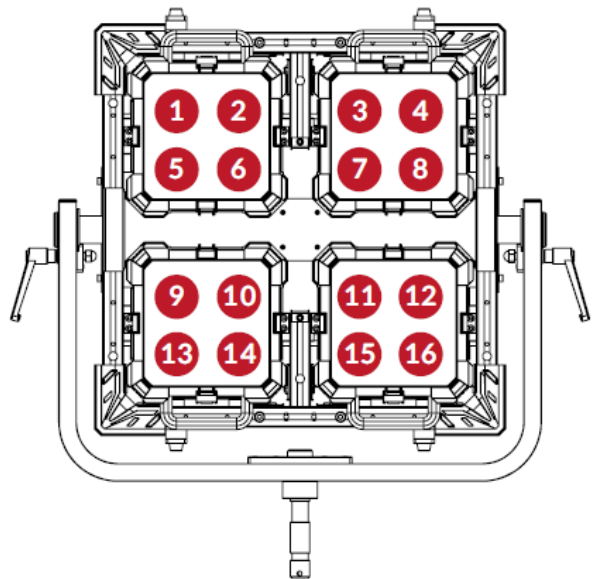
- *** In CCTxy and ICTxy modes, the "CCT" and "Green Adjust" parameters allow slight adjustment of the color temperature and tint for the selected "CIEx" and "CIEy" coordinates. To produce an output true to the CIEx and CIEy coordinates, set "CCT"=6500K and "Green Adjust"=0

Ordering of Pixels

Seen from Front of Fixture



Matrix COLOR



QUAD COLOR

Mode 1 (8-bit) / Mode 9 (16-bit) : CCT

8-bit DMX	16-bit DMX	Function	8-bit/16-bit Value		Range
1	1-2	Master Intensity	0 - 255	0 - 65,535	0% - 100%
2	3-4	CCT	0 - 255	0 - 65,535	2000K - 10000K
3	5-6	Green Adjust	0 - 9 10 - 255	0 - 9 10 - 65,535	Neutral (0) Full magenta ~ Full green (-1.0 ~ +1.0)
4	7	Fan Setting	0 - 9 10 - 69 70 - 129 130 - 189 190 - 255		Use current setting in fixture Silent (Fan speed fixed) Auto (Fan speed variable) Fan full speed (Fan speed fixed) Fan off (Fan is off)
5	8	Dimming Setting	0 - 9 10 - 99 100 - 255		Use current setting in fixture Sharp dimming Smooth dimming
6	9	Strobe Frequency	0 - 9 10 - 255		Strobe off 1Hz - 25Hz
-	10	Reserved	TBD		

Mode 2 (8-bit) / Mode 10 (16-bit) : HSI

8-bit DMX	16-bit DMX	Function	8-bit/16-bit Value		Range
1	1-2	Master Intensity	0 - 255	0 - 65,535	0% - 100%
2	3-4	Hue	0 - 255	0 - 65,535	0° - 360°
3	5-6	Saturation	0 - 255	0 - 65,535	0% - 100%
4	7	Fan Setting	0 - 9 10 - 69 70 - 129 130 - 189 190 - 255		Use current setting in fixture Silent (Fan speed fixed) Auto (Fan speed variable) Fan full speed (Fan speed fixed) Fan off (Fan is off)
5	8	Dimming Setting	0 - 9 10 - 99 100 - 255		Use current setting in fixture Sharp dimming Smooth dimming
6	9	Strobe Frequency	0 - 9 10 - 255		Strobe off 1Hz - 25Hz
-	10	Reserved	TBD		

Mode 3 (8-bit) / Mode 11 (16-bit) : RGBW

8-bit DMX	16-bit DMX	Function	8-bit/16-bit Value		Range
1	1-2	Master Intensity	0 - 255	0 - 65,535	0% - 100%
2	3-4	Intensity Red	0 - 255	0 - 65,535	0% - 100%
3	5-6	Intensity Green	0 - 255	0 - 65,535	0% - 100%
4	7-8	Intensity Blue	0 - 255	0 - 65,535	0% - 100%
5	9-10	Intensity White	0 - 255	0 - 65,535	0% - 100%
6	11	Fan Setting	0 - 9 10 - 69 70 - 129 130 - 189 190 - 255		Use current setting in fixture Silent (Fan speed fixed) Auto (Fan speed variable) Fan full speed (Fan speed fixed) Fan off (Fan is off)
7	12	Dimming Setting	0 - 9 10 - 99 100 - 255		Use current setting in fixture Sharp dimming Smooth dimming
8	13	Strobe Frequency	0 - 9 10 - 255		Strobe off 1Hz - 25Hz
-	14	Reserved	TBD		

Mode 6 (8-bit) / Mode 14 (16-bit) : CIExy

8-bit DMX	16-bit DMX	Function	8-bit/16-bit Value		Range
1	1-2	Master Intensity	0 - 255	0 - 65,535	0% - 100%
2	3-4	x	0 - 255	0 - 65,535	0.0 - 0.8
3	5-6	y	0 - 255	0 - 65,535	0.0 - 0.8
4	7	Fan Setting	0 - 9 10 - 69 70 - 129 130 - 189 190 - 255		Use current setting in fixture Silent (Fan speed fixed) Auto (Fan speed variable) Fan full speed (Fan speed fixed) Fan off (Fan is off)
5	8	Dimming Setting	0 - 9 10 - 99 100 - 255		Use current setting in fixture Sharp dimming Smooth dimming
6	9	Strobe Frequency	0 - 9 10 - 255		Strobe off 1Hz - 25Hz
-	10	Reserved	TBD		

Mode 7 (8-bit) / Mode 15 (16-bit) : GEL

8-bit DMX	16-bit DMX	Function	8-bit/16-bit Value		Range
1	1-2	Master Intensity	0 - 255	0 - 65,535	0% - 100%
2	3	Gel Filter	0 - 9 10 - 19 20 - 29 30 - 39 40 - 49 50 - 59 60 - 69 70 - 79 80 - 89 90 - 99 100 - 109 110 - 119 120 - 129 130 - 139 140 - 149 150 - 159 160 - 169 170 - 179 180 - 189 190 - 199 200 - 209 210 - 255		None Bastard Amber Straw Light Amber Light Flame Golden Amber Light Red No Color Pink Middle Rose Light Rose Purple Surprise Pink No Color Blue Daylight Blue Primary Blue Moss Green Blue Green Gel 1 Gel 2 Gel 3 Gel 4 Gel 5 Reserved
3	4	CCT (Disabled for Gel 1-5)	0 - 99 100 - 255		3200K 6500K
4	5	Fan Setting	0 - 9 10 - 69 70 - 129 130 - 189 190 - 255		Use current setting in fixture Silent (Fan speed fixed) Auto (Fan speed variable) Fan full speed (Fan speed fixed) Fan off (Fan is off)
5	6	Dimming Setting	0 - 9 10 - 99 100 - 255		Use current setting in fixture Sharp dimming Smooth dimming
6	7	Strobe Frequency	0 - 9 10 - 255		Strobe off 1Hz - 25Hz
-	8	Reserved	TBD		

Mode 40 (8-bit) / Mode 45 (16-bit) : RGB

8-bit DMX	16-bit DMX	Function	8-bit/16-bit Value		Range
1	1-2	Intensity Red	0 - 255	0 - 65,535	0% - 100%
2	3-4	Intensity Green	0 - 255	0 - 65,535	0% - 100%
3	5-6	Intensity Blue	0 - 255	0 - 65,535	0% - 100%
4	7	Fan Setting	0 - 9 10 - 69 70 - 129 130 - 189 190 - 255		Use current setting in fixture Silent (Fan speed fixed) Auto (Fan speed variable) Fan full speed (Fan speed fixed) Fan off (Fan is off)
5	8	Dimming Setting	0 - 9 10 - 99 100 - 255		Use current setting in fixture Sharp dimming Smooth dimming
6	9	Strobe Frequency	0 - 9 10 - 255		Strobe off 1Hz - 25Hz

Mode 4 (8-bit) / Mode 12 (16-bit) : CCTHSI

8-bit DMX	16-bit DMX	Function	8-bit/16-bit Value		Range
1	1-2	Master Intensity	0 - 255	0 - 65,535	0% - 100%
2	3-4	CCT	0 - 255	0 - 65,535	2000K - 10000K
3	5-6	Green Adjust	0 - 9 10 - 255	0 - 9 10 - 65,535	Neutral (0) Full magenta ~ Full green (-1.0 ~ +1.0)
4	7-8	Crossfade	0 - 255	0 - 65,535	0% - 100%
5	9-10	Hue	0 - 255	0 - 65,535	0° - 360°
6	11-12	Saturation	0 - 255	0 - 65,535	0% - 100%
7	13	Fan Setting	0 - 9 10 - 69 70 - 129 130 - 189 190 - 255		Use current setting in fixture Silent (Fan speed fixed) Auto (Fan speed variable) Fan full speed (Fan speed fixed) Fan off (Fan is off)
8	14	Dimming Setting	0 - 9 10 - 99 100 - 255		Use current setting in fixture Sharp dimming Smooth dimming
9	15	Strobe Frequency	0 - 9 10 - 255		Strobe off 1Hz - 25Hz
-	16	Reserved	TBD		

Mode 5 (8-bit) / Mode 13 (16-bit) : CCTRGBW

8-bit DMX	16-bit DMX	Function	8-bit/16-bit Value		Range
1	1-2	Master Intensity	0 - 255	0 - 65,535	0% - 100%
2	3-4	CCT	0 - 255	0 - 65,535	2000K - 10000K
3	5-6	Green Adjust	0 - 9 10 - 255	0 - 9 10 - 65,535	Neutral (0) Full magenta ~ Full green (-1.0 ~ +1.0)
4	7-8	Crossfade	0 - 255	0 - 65,535	0% - 100%
5	9-10	Intensity Red	0 - 255	0 - 65,535	0% - 100%
6	11-12	Intensity Green	0 - 255	0 - 65,535	0% - 100%
7	13-14	Intensity Blue	0 - 255	0 - 65,535	0% - 100%
8	15-16	Intensity White	0 - 255	0 - 65,535	0% - 100%
9	17	Fan Setting	0 - 9 10 - 69 70 - 129 130 - 189 190 - 255		Use current setting in fixture Silent (Fan speed fixed) Auto (Fan speed variable) Fan full speed (Fan speed fixed) Fan off (Fan is off)
10	18	Dimming Setting	0 - 9 10 - 99 100 - 255		Use current setting in fixture Sharp dimming Smooth dimming
11	19	Strobe Frequency	0 - 9 10 - 255		Strobe off 1Hz - 25Hz
-	20	Reserved	TBD		

Mode 41 (8-bit) / Mode 46 (16-bit) : CCTxy

8-bit DMX	16-bit DMX	Function	8-bit/16-bit Value		Range
1	1-2	Master Intensity	0 - 255	0 - 65,535	0% - 100%
2	3-4	CCT	0 - 255	0 - 65,535	2000K - 10000K
3	5-6	Green Adjust	0 - 9 10 - 255	0 - 9 10 - 65,535	Neutral (0) Full magenta ~ Full green (-1.0 ~ +1.0)
4	7-8	Crossfade	0 - 255	0 - 65,535	0% - 100%
5	9-10	x	0 - 255	0 - 65,535	0.0 - 0.8
6	11-12	y	0 - 255	0 - 65,535	0.0 - 0.8
7	13	Fan Setting	0 - 9 10 - 69 70 - 129 130 - 189 190 - 255		Use current setting in fixture Silent (Fan speed fixed) Auto (Fan speed variable) Fan full speed (Fan speed fixed) Fan off (Fan is off)
8	14	Dimming Setting	0 - 9 10 - 99 100 - 255		Use current setting in fixture Sharp dimming Smooth dimming
9	15	Strobe Frequency	0 - 9 10 - 255		Strobe off 1Hz - 25Hz

Mode 42 (8-bit) / Mode 47 (16-bit) : ICTHS

8-bit DMX	16-bit DMX	Function	8-bit/16-bit Value		Range
1	1-2	Master Intensity	0 - 255	0 - 65,535	0% - 100%
2	3-4	CCT	0 - 255	0 - 65,535	2000K - 10000K
3	5-6	Green Adjust	0 - 9 10 - 255	0 - 9 10 - 65,535	Neutral (0) Full magenta ~ Full green (-1.0 ~ +1.0)
4	7-8	Hue	0 - 255	0 - 65,535	0° - 360°
5	9-10	Saturation	0 - 255	0 - 65,535	0% - 100%
6	11	Reserved	TBD		
7	12	Fan Setting	0 - 9 10 - 69 70 - 129 130 - 189 190 - 255		Use current setting in fixture Silent (Fan speed fixed) Auto (Fan speed variable) Fan full speed (Fan speed fixed) Fan off (Fan is off)
8	13	Dimming Setting	0 - 9 10 - 99 100 - 255		Use current setting in fixture Sharp dimming Smooth dimming
9	14	Strobe Frequency	0 - 9 10 - 255		Strobe off 1Hz - 25Hz

Mode 43 (8-bit) / Mode 48 (16-bit) : ICTRGBW

8-bit DMX	16-bit DMX	Function	8-bit/16-bit Value		Range
1	1-2	Master Intensity	0 - 255	0 - 65,535	0% - 100%
2	3-4	CCT	0 - 255	0 - 65,535	2000K - 10000K
3	5-6	Green Adjust	0 - 9 10 - 255	0 - 9 10 - 65,535	Neutral (0) Full magenta ~ Full green (-1.0 ~ +1.0)
4	7-8	Intensity Red	0 - 255	0 - 65,535	0% - 100%
5	9-10	Intensity Green	0 - 255	0 - 65,535	0% - 100%
6	11-12	Intensity Blue	0 - 255	0 - 65,535	0% - 100%
7	13-14	Intensity White	0 - 255	0 - 65,535	0% - 100%
8	15	Reserved	TBD		
9	16	Fan Setting	0 - 9 10 - 69 70 - 129 130 - 189 190 - 255	Use current setting in fixture Silent (Fan speed fixed) Auto (Fan speed variable) Fan full speed (Fan speed fixed) Fan off (Fan is off)	
10	17	Dimming Setting	0 - 9 10 - 99 100 - 255	Use current setting in fixture Sharp dimming Smooth dimming	
11	18	Strobe Frequency	0 - 9 10 - 255	Strobe off 1Hz - 25Hz	

Mode 44 (8-bit) / Mode 49 (16-bit) : ICTxy

8-bit DMX	16-bit DMX	Function	8-bit/16-bit Value		Range
1	1-2	Master Intensity	0 - 255	0 - 65,535	0% - 100%
2	3-4	CCT	0 - 255	0 - 65,535	2000K - 10000K
3	5-6	Green Adjust	0 - 9 10 - 255	0 - 9 10 - 65,535	Neutral (0) Full magenta ~ Full green (-1.0 ~ +1.0)
4	7-8	x	0 - 255	0 - 65,535	0.0 - 0.8
5	9-10	y	0 - 255	0 - 65,535	0.0 - 0.8
6	11	Reserved	TBD		
7	12	Fan Setting	0 - 9 10 - 69 70 - 129 130 - 189 190 - 255		Use current setting in fixture Silent (Fan speed fixed) Auto (Fan speed variable) Fan full speed (Fan speed fixed) Fan off (Fan is off)
8	13	Dimming Setting	0 - 9 10 - 99 100 - 255		Use current setting in fixture Sharp dimming Smooth dimming
9	14	Strobe Frequency	0 - 9 10 - 255		Strobe off 1Hz - 25Hz

Mode 50 (8-bit) / Mode 63 (16-bit) : EZ CCT

8-bit DMX	16-bit DMX	Function	8-bit/16-bit Value		Range
1	1-2	Master Intensity	0 - 255	0 - 65,535	0% - 100%
2	3-4	CCT	0 - 255	0 - 65,535	2000K - 10000K
3	5-6	Green Adjust	0 - 9 10 - 255	0 - 9 10 - 65,535	Neutral (0) Full magenta ~ Full green (-1.0 ~ +1.0)

Mode 51 (8-bit) / Mode 64 (16-bit) : EZ HSI

8-bit DMX	16-bit DMX	Function	8-bit/16-bit Value		Range
1	1-2	Master Intensity	0 - 255	0 - 65,535	0% - 100%
2	3-4	Hue	0 - 255	0 - 65,535	0° - 360°
3	5-6	Saturation	0 - 255	0 - 65,535	0% - 100%

Mode 52 (8-bit) / Mode 65 (16-bit) : EZ RGBW

8-bit DMX	16-bit DMX	Function	8-bit/16-bit Value		Range
1	1-2	Master Intensity	0 - 255	0 - 65,535	0% - 100%
2	3-4	Intensity Red	0 - 255	0 - 65,535	0% - 100%
3	5-6	Intensity Green	0 - 255	0 - 65,535	0% - 100%
4	7-8	Intensity Blue	0 - 255	0 - 65,535	0% - 100%
5	9-10	Intensity White	0 - 255	0 - 65,535	0% - 100%

Mode 55 (8-bit) / Mode 68 (16-bit) : EZ CIExy

8-bit DMX	16-bit DMX	Function	8-bit/16-bit Value		Range
1	1-2	Master Intensity	0 - 255	0 - 65,535	0% - 100%
2	3-4	x	0 - 255	0 - 65,535	0.0 - 0.8
3	5-6	y	0 - 255	0 - 65,535	0.0 - 0.8

Mode 53 (8-bit) / Mode 66 (16-bit) : EZ CCTHSI

8-bit DMX	16-bit DMX	Function	8-bit/16-bit Value		Range
1	1-2	Master Intensity	0 - 255	0 - 65,535	0% - 100%
2	3-4	CCT	0 - 255	0 - 65,535	2000K - 10000K
3	5-6	Green Adjust	0 - 9 10 - 255	0 - 9 10 - 65,535	Neutral (0) Full magenta ~ Full green (-1.0 ~ +1.0)
4	7-8	Crossfade	0 - 255	0 - 65,535	0% - 100%
5	9-10	Hue	0 - 255	0 - 65,535	0° - 360°
6	11-12	Saturation	0 - 255	0 - 65,535	0% - 100%

Mode 54 (8-bit) / Mode 67 (16-bit) : EZ CCTRGBW

8-bit DMX	16-bit DMX	Function	8-bit/16-bit Value		Range
1	1-2	Master Intensity	0 - 255	0 - 65,535	0% - 100%
2	3-4	CCT	0 - 255	0 - 65,535	2000K - 10000K
3	5-6	Green Adjust	0 - 9 10 - 255	0 - 9 10 - 65,535	Neutral (0) Full magenta ~ Full green (-1.0 ~ +1.0)
4	7-8	Crossfade	0 - 255	0 - 65,535	0% - 100%
5	9-10	Intensity Red	0 - 255	0 - 65,535	0% - 100%
6	11-12	Intensity Green	0 - 255	0 - 65,535	0% - 100%
7	13-14	Intensity Blue	0 - 255	0 - 65,535	0% - 100%
8	15-16	Intensity White	0 - 255	0 - 65,535	0% - 100%

Mode 57 (8-bit) / Mode 70 (16-bit) : EZ CCTxy

8-bit DMX	16-bit DMX	Function	8-bit/16-bit Value		Range
1	1-2	Master Intensity	0 - 255	0 - 65,535	0% - 100%
2	3-4	CCT	0 - 255	0 - 65,535	2000K - 10000K
3	5-6	Green Adjust	0 - 9 10 - 255	0 - 9 10 - 65,535	Neutral (0) Full magenta ~ Full green (-1.0 ~ +1.0)
4	7-8	Crossfade	0 - 255	0 - 65,535	0% - 100%
5	9-10	x	0 - 255	0 - 65,535	0.0 - 0.8
6	11-12	y	0 - 255	0 - 65,535	0.0 - 0.8

Mode 58 (8-bit) / Mode 71 (16-bit) : EZ ICTHS

8-bit DMX	16-bit DMX	Function	8-bit/16-bit Value		Range
1	1-2	Master Intensity	0 - 255	0 - 65,535	0% - 100%
2	3-4	CCT	0 - 255	0 - 65,535	2000K - 10000K
3	5-6	Green Adjust	0 - 9 10 - 255	0 - 9 10 - 65,535	Neutral (0) Full magenta ~ Full green (-1.0 ~ +1.0)
4	7-8	Hue	0 - 255	0 - 65,535	0° - 360°
5	9-10	Saturation	0 - 255	0 - 65,535	0% - 100%

Mode 59 (8-bit) / Mode 72 (16-bit) : EZ ICTRGBW

8-bit DMX	16-bit DMX	Function	8-bit/16-bit Value		Range
1	1-2	Master Intensity	0 - 255	0 - 65,535	0% - 100%
2	3-4	CCT	0 - 255	0 - 65,535	2000K - 10000K
3	5-6	Green Adjust	0 - 9 10 - 255	0 - 9 10 - 65,535	Neutral (0) Full magenta ~ Full green (-1.0 ~ +1.0)
4	7-8	Intensity Red	0 - 255	0 - 65,535	0% - 100%
5	9-10	Intensity Green	0 - 255	0 - 65,535	0% - 100%
6	11-12	Intensity Blue	0 - 255	0 - 65,535	0% - 100%
7	13-14	Intensity White	0 - 255	0 - 65,535	0% - 100%

Mode 60 (8-bit) / Mode 73 (16-bit) : EZ ICTxy

8-bit DMX	16-bit DMX	Function	8-bit/16-bit Value		Range
1	1-2	Master Intensity	0 - 255	0 - 65,535	0% - 100%
2	3-4	CCT	0 - 255	0 - 65,535	2000K - 10000K
3	5-6	Green Adjust	0 - 9 10 - 255	0 - 9 10 - 65,535	Neutral (0) Full magenta ~ Full green (-1.0 ~ +1.0)
4	7-8	x	0 - 255	0 - 65,535	0.0 - 0.8
5	9-10	y	0 - 255	0 - 65,535	0.0 - 0.8

Mode 56 (8-bit) / Mode 69 (16-bit) : EZ RGB

8-bit DMX	16-bit DMX	Function	8-bit/16-bit Value		Range
1	1-2	Intensity Red	0 - 255	0 - 65,535	0% - 100%
2	3-4	Intensity Green	0 - 255	0 - 65,535	0% - 100%
3	5-6	Intensity Blue	0 - 255	0 - 65,535	0% - 100%

Mode 61 (8-bit) / Mode 74 (16-bit) : EZ 3200K

8-bit DMX	16-bit DMX	Function	8-bit/16-bit Value		Range
1	1-2	Master Intensity	0 - 255	0 - 65,535	0% - 100%

Mode 62 (8-bit) / Mode 75 (16-bit) : EZ 5600K

8-bit DMX	16-bit DMX	Function	8-bit/16-bit Value		Range
1	1-2	Master Intensity	0 - 255	0 - 65,535	0% - 100%

Mode 76 (8-bit) / Mode 77 (16-bit) : ALL MODES

8-bit DMX	16-bit DMX	Function	8-bit/16-bit Value		Range
1	1-2	Master Intensity	0 - 255	0 - 65,535	0% - 100%
2	3	Color Mode Selection	0 - 9 10 - 19 20 - 29 30 - 39 40 - 49 50 - 59 60 - 69 70 - 79 80 - 89 90 - 99 100 - 109 110 - 119 120 - 129 130 - 255		CCT HSI RGBW CCTHSI CCTRGBW CIExy GEL DEMO RGB CCTxy ICTHS ICTRGBW ICTxy Reserved
3	4-5	Color Parameter 1	See table below		
4	6-7	Color Parameter 2			
5	8-9	Color Parameter 3			
6	10-11	Color Parameter 4			
7	12-13	Color Parameter 5			
8	14-15	Color Parameter 6			
9	16-17	Color Parameter 7			
10	18	Fan Setting	0 - 9 10 - 69 70 - 129 130 - 189 190 - 255		Use current setting in fixture Silent (Fan speed fixed) Auto (Fan speed variable) Fan full speed (Fan speed fixed) Fan off (Fan is off)
11	19	Dimming Setting	0 - 9 10 - 99 100 - 255		Use current setting in fixture Sharp dimming Smooth dimming
12	20	Strobe Frequency	0 - 9 10 - 255		Strobe off 1Hz - 25Hz

Mode 76 (8-bit) / Mode 77 (16-bit) : ALL MODES (continued 1)

		CCT				HSI			
8-bit DMX	16-bit DMX	Function	8-bit/16-bit Value		Range	Function	8-bit/16-bit Value		Range
3	4-5	CCT	0 - 255	0 - 65,535	2000K - 10000K	Hue	0 - 255	0 - 65,535	0° - 360°
4	6-7	Green Adjust	0 - 9 10 - 255	0 - 9 10 - 65,535	Neutral (0) Full magenta ~ Full green (-1.0 ~ +1.0)	Saturation	0 - 255	0 - 65,535	0% - 100%
		RGBW				RGB			
8-bit DMX	16-bit DMX	Function	8-bit/16-bit Value		Range	Function	8-bit/16-bit Value		Range
3	4-5	INT Red	0 - 255	0 - 65,535	0% - 100%	INT Red	0 - 255	0 - 65,535	0% - 100%
4	6-7	INT Green	0 - 255	0 - 65,535	0% - 100%	INT Green	0 - 255	0 - 65,535	0% - 100%
5	8-9	INT Blue	0 - 255	0 - 65,535	0% - 100%	INT Blue	0 - 255	0 - 65,535	0% - 100%
6	10-11	INT White	0 - 255	0 - 65,535	0% - 100%				
		CCTRGBW				CCTHSI			
8-bit DMX	16-bit DMX	Function	8-bit/16-bit Value		Range	Function	8-bit/16-bit Value		Range
3	4-5	CCT	0 - 255	0 - 65,535	2000K - 10000K	CCT	0 - 255	0 - 65,535	2000K - 10000K
4	6-7	Green Adjust	0 - 9 10 - 255	0 - 9 10 - 65,535	Neutral (0) Full magenta ~ Full green (-1.0 ~ +1.0)	Green Adjust	0 - 9 10 - 255	0 - 9 10 - 65,535	Neutral (0) Full magenta ~ Full green (-1.0 ~ +1.0)
5	8-9	Crossfade	0 - 255	0 - 65,535	0% - 100%	Crossfade	0 - 255	0 - 65,535	0% - 100%
6	10-11	INT Red	0 - 255	0 - 65,535	0% - 100%	Hue	0 - 255	0 - 65,535	0° - 360°
7	12-13	INT Green	0 - 255	0 - 65,535	0% - 100%	Saturation	0 - 255	0 - 65,535	0% - 100%
8	14-15	INT Blue	0 - 255	0 - 65,535	0% - 100%				
9	16-17	INT White	0 - 255	0 - 65,535	0% - 100%				
		CCTxy				ICTHS			
8-bit DMX	16-bit DMX	Function	8-bit/16-bit Value		Range	Function	8-bit/16-bit Value		Range
3	4-5	CCT	0 - 255	0 - 65,535	2000K - 10000K	CCT	0 - 255	0 - 65,535	2000K - 10000K
4	6-7	Green Adjust	0 - 9 10 - 255	0 - 9 10 - 65,535	Neutral (0) Full magenta ~ Full green (-1.0 ~ +1.0)	Green Adjust	0 - 9 10 - 255	0 - 9 10 - 65,535	Neutral (0) Full magenta ~ Full green (-1.0 ~ +1.0)
5	8-9	Crossfade	0 - 255	0 - 65,535	0% - 100%	Hue	0 - 255	0 - 65,535	0° - 360°
6	10-11	x	0 - 255	0 - 65,535	0.0 - 0.8	Saturation	0 - 255	0 - 65,535	0% - 100%
7	12-13	y	0 - 255	0 - 65,535	0.0 - 0.8	Reserved	TBD		

		GEL			DEMO					
8-bit DMX	16-bit DMX	Function	8-bit/16-bit Value		Range	Function	8-bit/16-bit Value		Range	
3	4-5	Gel Filter	0 - 9		None	Demo Selection	0 - 9		No effect(Stop Effect)	
			10 - 19		Bastard Amber		10 - 19		Candle	
			20 - 29		Straw		20 - 29		Club light	
			30 - 39		Light Amber		30 - 39		Color chase	
			40 - 49		Light Flame		40 - 49		Cop car	
			50 - 59		Golden Amber		50 - 59		Fireworks	
			60 - 69		Light Red		60 - 69		Lightning	
			70 - 79		No Color Pink		70 - 79		Paparazzi	
			80 - 89		Middle Rose		80 - 89		Strobe	
			90 - 99		Light Rose Purple		90 - 99		Television	
			100 - 109		Surprise Pink		100 - 109		Circular	
			110 - 119		No Color Blue		110 - 119		(Only for PIX mode)	
			120 - 129		Daylight Blue		120 - 129		Vertical	
			130 - 139		Primary Blue		130 - 139		(Only for PIX mode)	
			140 - 149		Moss Green		140 - 255		Horizontal	
			150 - 159		Blue Green				(Only for PIX mode)	
			160 - 169		Gel 1				Diagonal	
			170 - 179		Gel 2				(Only for PIX mode)	
			180 - 189		Gel 3				Reserved for future use	
			190 - 199		Gel 4					
200 - 209		Gel 5								
210 - 255		Reserved								
4	5-6	CCT	0 - 99		3200K					
			100 - 255		6500K					
		ICTRGBW			ICTxy					
8-bit DMX	16-bit DMX	Function	8-bit/16-bit Value		Range	Function	8-bit/16-bit Value		Range	
3	4-5	CCT	0 - 255	0 - 65,535	2000K - 10000K	CCT	0 - 255	0 - 65,535	2000K - 10000K	
4	6-7	Green Adjust	0 - 9 10 - 255	0 - 9 10 - 65,535	Neutral (0) Full magenta ~ Full green (-1.0 ~ +1.0)	Green Adjust	0 - 9 10 - 255	0 - 9 10 - 65,535	Neutral (0) Full magenta ~ Full green (-1.0 ~ +1.0)	
5	8-9	INT Red	0 - 255	0 - 65,535	0% - 100%	x	0 - 255	0 - 65,535	0.0 - 0.8	
6	10-11	INT Green	0 - 255	0 - 65,535	0% - 100%	y	0 - 255	0 - 65,535	0.0 - 0.8	
7	12-13	INT Blue	0 - 255	0 - 65,535	0% - 100%	Reserved	TBD			
8	14-15	INT White	0 - 255	0 - 65,535	0% - 100%					
9	-	Reserved	TBD							
		CIExy								
8-bit DMX	16-bit DMX	Function	8-bit/16-bit Value		Range					
3	4-5	x	0 - 255	0 - 65,535	0.0 - 0.8					
4	6-7	y	0 - 255	0 - 65,535	0.0 - 0.8					

Mode 76 (8-bit) / Mode 77 (16-bit) : ALL MODES (continued 2)

		Candle			Fireworks			Television		
8-bit DMX	16-bit DMX	Function	8-bit/16-bit Value	Range	Function	8-bit/16-bit Value	Range	Function	8-bit/16-bit Value	Range
4	6-7	Color	0 - 9 10 - 19 20 - 29	Warmer Neutral Cooler	Color	0 - 9 10 - 19 20 - 29	Color White Color + White	Mode	0 - 9 10 - 19 20 - 29 30 - 39	Action Horror News Romance
5	8-9	Speed	0 - 9 10 - 19 20 - 29 30 - 39 40 - 49	Slowest Slower Medium Faster Fastest	Speed	0 - 9 10 - 19 20 - 29 30 - 39 40 - 49	Slowest Slower Medium Faster Fastest			
		Club Light			Lightning			Cop Car		
4	6-7	Color	0 - 9 10 - 19 20 - 29 30 - 39 40 - 49 50 - 59 60 - 69	Red Green Blue Cyan Magenta Yellow All colors	Color	0 - 9 10 - 19 20 - 29	Warmer Neutral Cooler	Color	0 - 9 10 - 19 20 - 29 30 - 39 40 - 49 50 - 59 60 - 69 70 - 79 80 - 89 90 - 99 100 - 109	B (Blue) R (Red) A (Amber) W (White) RB RA BA BW AW RBW BRA
5	8-9	Speed	0 - 9 10 - 19 20 - 29 30 - 39 40 - 49	Slowest Slower Medium Faster Fastest	Speed	0 - 9 10 - 19 20 - 29 30 - 39 40 - 49	Slowest Slower Medium Faster Fastest	Flash Pattern	0 - 9 10 - 19 20 - 29 30 - 39	Single Double Quad Quint
		Color Chase			Paparazzi			Strobe		
4	6-7	Saturation	0 - 255/ 0 - 65,535	0% -100%	Color	0 - 9 10 - 19 20 - 29	Warmer Neutral Cooler	Hue	0 - 255/ 0 - 65,535	0 - 360°
5	8-9	Speed	0 - 9 10 - 19 20 - 29 30 - 39 40 - 49	Slowest Slower Medium Faster Fastest	Speed	0 - 9 10 - 19 20 - 29 30 - 39 40 - 49	Slowest Slower Medium Faster Fastest	Saturation	0 - 255/ 0 - 65,535	0% - 100%
6	10-11							Speed	0 - 9 10 - 19 20 - 29 30 - 39 40 - 49	Slowest Slower Medium Faster Fastest

Mode 19 (8-bit) / Mode 22 (16-bit) : PXL4 CIExy

8-bit DMX	16-bit DMX	Pixel	Function	8-bit/16-bit Value		Range
1	1-2	1	Master Intensity	0 - 255	0 - 65,535	0% - 100%
2	3-4		x	0 - 255	0 - 65,535	0.0 - 0.8
3	5-6		y	0 - 255	0 - 65,535	0.0 - 0.8
4	7-8	2	Master Intensity	0 - 255	0 - 65,535	0% - 100%
5	9-10		x	0 - 255	0 - 65,535	0.0 - 0.8
6	11-12		y	0 - 255	0 - 65,535	0.0 - 0.8
7	13-14	3	Master Intensity	0 - 255	0 - 65,535	0% - 100%
8	15-16		x	0 - 255	0 - 65,535	0.0 - 0.8
9	17-18		y	0 - 255	0 - 65,535	0.0 - 0.8
10	19-20	4	Master Intensity	0 - 255	0 - 65,535	0% - 100%
11	21-22		x	0 - 255	0 - 65,535	0.0 - 0.8
12	23-24		y	0 - 255	0 - 65,535	0.0 - 0.8
13	25	Fixture Setting (Not Specific to Any Pixels.)	Fan Setting	0 - 9 10 - 69 70 - 129 130 - 189 190 - 255		Use current setting in fixture Silent (Fan speed fixed) Auto (Fan speed variable) Fan full speed (Fan speed fixed) Fan off (Fan is off)
14	26		Dimming Setting	0 - 9 10 - 99 100 - 255		Use current setting in fixture Sharp dimming Smooth dimming
15	27		Strobe Frequency	0 - 9 10 - 255		Strobe off 1Hz - 25Hz
-	28		Reserved	TBD		

Mode 17 (8-bit) / Mode 20 (16-bit) : PXL4 CCTHSI

8-bit DMX	16-bit DMX	Pixel	Function	8-bit/16-bit Value		Range
1	1-2	1	Master Intensity	0 - 255	0 - 65,535	0% - 100%
2	3-4		CCT	0 - 255	0 - 65,535	2000K - 10000K
3	5-6		Green Adjust	0 - 9 10 - 255	0 - 9 10 - 65,535	Neutral (0) Full magenta ~ Full green (-1.0 ~ +1.0)
4	7-8		Crossfade	0 - 255	0 - 65,535	0% - 100%
5	9-10		Hue	0 - 255	0 - 65,535	0° - 360°
6	11-12		Saturation	0 - 255	0 - 65,535	0% - 100%
7	13-14	2	Master Intensity	0 - 255	0 - 65,535	0% - 100%
8	15-16		CCT	0 - 255	0 - 65,535	2000K - 10000K
9	17-18		Green Adjust	0 - 9 10 - 255	0 - 9 10 - 65,535	Neutral (0) Full magenta ~ Full green (-1.0 ~ +1.0)
10	19-20		Crossfade	0 - 255	0 - 65,535	0% - 100%
11	21-22		Hue	0 - 255	0 - 65,535	0° - 360°
12	23-24		Saturation	0 - 255	0 - 65,535	0% - 100%
13	25-26	3	Master Intensity	0 - 255	0 - 65,535	0% - 100%
14	27-28		CCT	0 - 255	0 - 65,535	2000K - 10000K
15	29-30		Green Adjust	0 - 9 10 - 255	0 - 9 10 - 65,535	Neutral (0) Full magenta ~ Full green (-1.0 ~ +1.0)
16	31-32		Crossfade	0 - 255	0 - 65,535	0% - 100%
17	33-34		Hue	0 - 255	0 - 65,535	0° - 360°
18	35-36		Saturation	0 - 255	0 - 65,535	0% - 100%
19	37-38	4	Master Intensity	0 - 255	0 - 65,535	0% - 100%
20	39-40		CCT	0 - 255	0 - 65,535	2000K - 10000K
21	41-42		Green Adjust	0 - 9 10 - 255	0 - 9 10 - 65,535	Neutral (0) Full magenta ~ Full green (-1.0 ~ +1.0)
22	43-44		Crossfade	0 - 255	0 - 65,535	0% - 100%
23	45-46		Hue	0 - 255	0 - 65,535	0° - 360°
24	47-48		Saturation	0 - 255	0 - 65,535	0% - 100%

Mode 17 (8-bit) / Mode 20 (16-bit) : PXL4 CCTHSI

8-bit DMX	16-bit DMX	Pixel	Function	8-bit/16-bit Value	Range
25	49	Fixture Setting (Not Specific to Any Pixels.)	Fan Setting	0 - 9 10 - 69 70 - 129 130 - 189 190 - 255	Use current setting in fixture Silent (Fan speed fixed) Auto (Fan speed variable) Fan full speed (Fan speed fixed) Fan off (Fan is off)
26	50		Dimming Setting	0 - 9 10 - 99 100 - 255	Use current setting in fixture Sharp dimming Smooth dimming
27	51		Strobe Frequency	0 - 9 10 - 255	Strobe off 1Hz - 25Hz
-	52		Reserved	TBD	

Mode 18 (8-bit) / Mode 21 (16-bit) : PXL4 CCTRGBW

8-bit DMX	16-bit DMX	Pixel	Function	8-bit/16-bit Value		Range
1	1-2	1	Master Intensity	0 - 255	0 - 65,535	0% - 100%
2	3-4		CCT	0 - 255	0 - 65,535	2000K - 10000K
3	5-6		Green Adjust	0 - 9 10 - 255	0 - 9 10 - 65,535	Neutral (0) Full magenta ~ Full green (-1.0 ~ +1.0)
4	7-8		Crossfade	0 - 255	0 - 65,535	0% - 100%
5	9-10		Intensity Red	0 - 255	0 - 65,535	0% - 100%
6	11-12		Intensity Green	0 - 255	0 - 65,535	0% - 100%
7	13-14		Intensity Blue	0 - 255	0 - 65,535	0% - 100%
8	15-16		Intensity White	0 - 255	0 - 65,535	0% - 100%
9	17-18	2	Master Intensity	0 - 255	0 - 65,535	0% - 100%
10	19-20		CCT	0 - 255	0 - 65,535	2000K - 10000K
11	21-22		Green Adjust	0 - 9 10 - 255	0 - 9 10 - 65,535	Neutral (0) Full magenta ~ Full green (-1.0 ~ +1.0)
12	23-24		Crossfade	0 - 255	0 - 65,535	0% - 100%
13	25-26		Intensity Red	0 - 255	0 - 65,535	0% - 100%
14	27-28		Intensity Green	0 - 255	0 - 65,535	0% - 100%
15	29-30		Intensity Blue	0 - 255	0 - 65,535	0% - 100%
16	31-32		Intensity White	0 - 255	0 - 65,535	0% - 100%
17	33-34	3	Master Intensity	0 - 255	0 - 65,535	0% - 100%
18	35-36		CCT	0 - 255	0 - 65,535	2000K - 10000K
19	37-38		Green Adjust	0 - 9 10 - 255	0 - 9 10 - 65,535	Neutral (0) Full magenta ~ Full green (-1.0 ~ +1.0)
20	39-40		Crossfade	0 - 255	0 - 65,535	0% - 100%
21	41-42		Intensity Red	0 - 255	0 - 65,535	0% - 100%
22	43-44		Intensity Green	0 - 255	0 - 65,535	0% - 100%
23	45-46		Intensity Blue	0 - 255	0 - 65,535	0% - 100%
24	47-48		Intensity White	0 - 255	0 - 65,535	0% - 100%

Mode 18 (8-bit) / Mode 21 (16-bit) : PXL4 CCTRGBW

8-bit DMX	16-bit DMX	Pixel	Function	8-bit/16-bit Value		Range
25	49-50	4	Master Intensity	0 - 255	0 - 65,535	0% - 100%
26	51-52		CCT	0 - 255	0 - 65,535	2000K - 10000K
27	53-54		Green Adjust	0 - 9 10 - 255	0 - 9 10 - 65,535	Neutral (0) Full magenta ~ Full green (-1.0 ~ +1.0)
28	55-56		Crossfade	0 - 255	0 - 65,535	0% - 100%
29	57-58		Intensity Red	0 - 255	0 - 65,535	0% - 100%
30	59-60		Intensity Green	0 - 255	0 - 65,535	0% - 100%
31	61-62		Intensity Blue	0 - 255	0 - 65,535	0% - 100%
32	63-64		Intensity White	0 - 255	0 - 65,535	0% - 100%
33	65	Fixture Setting (Not Specific to Any Pixels.)	Fan Setting	0 - 9 10 - 69 70 - 129 130 - 189 190 - 255	Use current setting in fixture Silent (Fan speed fixed) Auto (Fan speed variable) Fan full speed (Fan speed fixed) Fan off (Fan is off)	
34	66		Dimming Setting	0 - 9 10 - 99 100 - 255	Use current setting in fixture Sharp dimming Smooth dimming	
35	67		Strobe Frequency	0 - 9 10 - 255	Strobe off 1Hz - 25Hz	
-	68		Reserved	TBD		

Mode 80 (8-bit) / Mode 84 (16-bit) : PXL4 CCTxy

8-bit DMX	16-bit DMX	Pixel	Function	8-bit/16-bit Value		Range
1	1-2	1	Master Intensity	0 - 255	0 - 65,535	0% - 100%
2	3-4		CCT	0 - 255	0 - 65,535	2000K - 10000K
3	5-6		Green Adjust	0 - 9 10 - 255	0 - 9 10 - 65,535	Neutral (0) Full magenta ~ Full green (-1.0 ~ +1.0)
4	7-8		Crossfade	0 - 255	0 - 65,535	0% - 100%
5	9-10		x	0 - 255	0 - 65,535	0.0 - 0.8
6	11-12		y	0 - 255	0 - 65,535	0.0 - 0.8
7	13-14	2	Master Intensity	0 - 255	0 - 65,535	0% - 100%
8	15-16		CCT	0 - 255	0 - 65,535	2000K - 10000K
9	17-18		Green Adjust	0 - 9 10 - 255	0 - 9 10 - 65,535	Neutral (0) Full magenta ~ Full green (-1.0 ~ +1.0)
10	19-20		Crossfade	0 - 255	0 - 65,535	0% - 100%
11	21-22		x	0 - 255	0 - 65,535	0.0 - 0.8
12	23-24		y	0 - 255	0 - 65,535	0.0 - 0.8
13	25-26	3	Master Intensity	0 - 255	0 - 65,535	0% - 100%
14	27-28		CCT	0 - 255	0 - 65,535	2000K - 10000K
15	29-30		Green Adjust	0 - 9 10 - 255	0 - 9 10 - 65,535	Neutral (0) Full magenta ~ Full green (-1.0 ~ +1.0)
16	31-32		Crossfade	0 - 255	0 - 65,535	0% - 100%
17	33-34		x	0 - 255	0 - 65,535	0.0 - 0.8
18	35-36		y	0 - 255	0 - 65,535	0.0 - 0.8
19	37-38	4	Master Intensity	0 - 255	0 - 65,535	0% - 100%
20	39-40		CCT	0 - 255	0 - 65,535	2000K - 10000K
21	41-42		Green Adjust	0 - 9 10 - 255	0 - 9 10 - 65,535	Neutral (0) Full magenta ~ Full green (-1.0 ~ +1.0)
22	43-44		Crossfade	0 - 255	0 - 65,535	0% - 100%
23	45-46		x	0 - 255	0 - 65,535	0.0 - 0.8
24	47-48		y	0 - 255	0 - 65,535	0.0 - 0.8

Mode 80 (8-bit) / Mode 84 (16-bit) : PXL4 CCTxy

8-bit DMX	16-bit DMX	Pixel	Function	8-bit/16-bit Value	Range
25	49	Fixture Setting (Not Specific to Any Pixels.)	Fan Setting	0 - 9 10 - 69 70 - 129 130 - 189 190 - 255	Use current setting in fixture Silent (Fan speed fixed) Auto (Fan speed variable) Fan full speed (Fan speed fixed) Fan off (Fan is off)
26	50		Dimming Setting	0 - 9 10 - 99 100 - 255	Use current setting in fixture Sharp dimming Smooth dimming
27	51		Strobe Frequency	0 - 9 10 - 255	Strobe off 1Hz - 25Hz
-	52		Reserved	TBD	

Mode 81 (8-bit) / Mode 85 (16-bit) : PXL4 ICTHS

8-bit DMX	16-bit DMX	Pixel	Function	8-bit/16-bit Value		Range
1	1-2	1	Master Intensity	0 - 255	0 - 65,535	0% - 100%
2	3-4		CCT	0 - 255	0 - 65,535	2000K - 10000K
3	5-6		Green Adjust	0 - 9 10 - 255	0 - 9 10 - 65,535	Neutral (0) Full magenta ~ Full green (-1.0 ~ +1.0)
4	7-8		Hue	0 - 255	0 - 65,535	0° - 360°
5	9-10		Saturation	0 - 255	0 - 65,535	0% - 100%
6	11-12	2	Master Intensity	0 - 255	0 - 65,535	0% - 100%
7	13-14		CCT	0 - 255	0 - 65,535	2000K - 10000K
8	15-16		Green Adjust	0 - 9 10 - 255	0 - 9 10 - 65,535	Neutral (0) Full magenta ~ Full green (-1.0 ~ +1.0)
9	17-18		Hue	0 - 255	0 - 65,535	0° - 360°
10	19-20		Saturation	0 - 255	0 - 65,535	0% - 100%
11	21-22	3	Master Intensity	0 - 255	0 - 65,535	0% - 100%
12	23-24		CCT	0 - 255	0 - 65,535	2000K - 10000K
13	25-26		Green Adjust	0 - 9 10 - 255	0 - 9 10 - 65,535	Neutral (0) Full magenta ~ Full green (-1.0 ~ +1.0)
14	27-28		Hue	0 - 255	0 - 65,535	0° - 360°
15	29-30		Saturation	0 - 255	0 - 65,535	0% - 100%
16	31-32	4	Master Intensity	0 - 255	0 - 65,535	0% - 100%
17	33-34		CCT	0 - 255	0 - 65,535	2000K - 10000K
18	35-36		Green Adjust	0 - 9 10 - 255	0 - 9 10 - 65,535	Neutral (0) Full magenta ~ Full green (-1.0 ~ +1.0)
19	37-38		Hue	0 - 255	0 - 65,535	0° - 360°
20	39-40		Saturation	0 - 255	0 - 65,535	0% - 100%
21	41		Reserved	TBD		
22	42	Fixture Setting (Not Specific to Any Pixels.)	Fan Setting	0 - 9 10 - 69 70 - 129 130 - 189 190 - 255	Use current setting in fixture Silent (Fan speed fixed) Auto (Fan speed variable) Fan full speed (Fan speed fixed) Fan off (Fan is off)	
23	43		Dimming Setting	0 - 9 10 - 99 100 - 255	Use current setting in fixture Sharp dimming Smooth dimming	
24	44		Strobe Frequency	0 - 9 10 - 255	Strobe off 1Hz - 25Hz	

Mode 82 (8-bit) / Mode 86 (16-bit) : PXL4 ICTRGBW

8-bit DMX	16-bit DMX	Pixel	Function	8-bit/16-bit Value		Range
1	1-2	1	Master Intensity	0 - 255	0 - 65,535	0% - 100%
2	3-4		CCT	0 - 255	0 - 65,535	2000K - 10000K
3	5-6		Green Adjust	0 - 9 10 - 255	0 - 9 10 - 65,535	Neutral (0) Full magenta ~ Full green (-1.0 ~ +1.0)
4	7-8		Intensity Red	0 - 255	0 - 65,535	0% - 100%
5	9-10		Intensity Green	0 - 255	0 - 65,535	0% - 100%
6	11-12		Intensity Blue	0 - 255	0 - 65,535	0% - 100%
7	13-14		Intensity White	0 - 255	0 - 65,535	0% - 100%
8	15-16	2	Master Intensity	0 - 255	0 - 65,535	0% - 100%
9	17-18		CCT	0 - 255	0 - 65,535	2000K - 10000K
10	19-20		Green Adjust	0 - 9 10 - 255	0 - 9 10 - 65,535	Neutral (0) Full magenta ~ Full green (-1.0 ~ +1.0)
11	21-22		Intensity Red	0 - 255	0 - 65,535	0% - 100%
12	23-24		Intensity Green	0 - 255	0 - 65,535	0% - 100%
13	25-26		Intensity Blue	0 - 255	0 - 65,535	0% - 100%
14	27-28		Intensity White	0 - 255	0 - 65,535	0% - 100%
15	29-30	3	Master Intensity	0 - 255	0 - 65,535	0% - 100%
16	31-32		CCT	0 - 255	0 - 65,535	2000K - 10000K
17	33-34		Green Adjust	0 - 9 10 - 255	0 - 9 10 - 65,535	Neutral (0) Full magenta ~ Full green (-1.0 ~ +1.0)
18	35-36		Intensity Red	0 - 255	0 - 65,535	0% - 100%
19	37-38		Intensity Green	0 - 255	0 - 65,535	0% - 100%
20	39-40		Intensity Blue	0 - 255	0 - 65,535	0% - 100%
21	41-42		Intensity White	0 - 255	0 - 65,535	0% - 100%

Mode 82 (8-bit) / Mode 86 (16-bit) : PXL4 ICTRGBW

8-bit DMX	16-bit DMX	Pixel	Function	8-bit/16-bit Value		Range
22	43-44	4	Master Intensity	0 - 255	0 - 65,535	0% - 100%
23	45-46		CCT	0 - 255	0 - 65,535	2000K - 10000K
24	47-48		Green Adjust	0 - 9 10 - 255	0 - 9 10 - 65,535	Neutral (0) Full magenta ~ Full green (-1.0 ~ +1.0)
25	49-50		Intensity Red	0 - 255	0 - 65,535	0% - 100%
26	51-52		Intensity Green	0 - 255	0 - 65,535	0% - 100%
27	53-54		Intensity Blue	0 - 255	0 - 65,535	0% - 100%
28	55-56		Intensity White	0 - 255	0 - 65,535	0% - 100%
29	57			Reserved	TBD	
30	58	Fixture Setting (Not Specific to Any Pixels.)	Fan Setting	0 - 9 10 - 69 70 - 129 130 - 189 190 - 255	Use current setting in fixture Silent (Fan speed fixed) Auto (Fan speed variable) Fan full speed (Fan speed fixed) Fan off (Fan is off)	
31	59		Dimming Setting	0 - 9 10 - 99 100 - 255	Use current setting in fixture Sharp dimming Smooth dimming	
32	60		Strobe Frequency	0 - 9 10 - 255	Strobe off 1Hz - 25Hz	

Mode 83 (8-bit) / Mode 87 (16-bit) : PXL4 ICTxy

8-bit DMX	16-bit DMX	Pixel	Function	8-bit/16-bit Value		Range
1	1-2	1	Master Intensity	0 - 255	0 - 65,535	0% - 100%
2	3-4		CCT	0 - 255	0 - 65,535	2000K - 10000K
3	5-6		Green Adjust	0 - 9 10 - 255	0 - 9 10 - 65,535	Neutral (0) Full magenta ~ Full green (-1.0 ~ +1.0)
4	7-8		x	0 - 255	0 - 65,535	0.0 - 0.8
5	9-10		y	0 - 255	0 - 65,535	0.0 - 0.8
6	11-12	2	Master Intensity	0 - 255	0 - 65,535	0% - 100%
7	13-14		CCT	0 - 255	0 - 65,535	2000K - 10000K
8	15-16		Green Adjust	0 - 9 10 - 255	0 - 9 10 - 65,535	Neutral (0) Full magenta ~ Full green (-1.0 ~ +1.0)
9	17-18		x	0 - 255	0 - 65,535	0.0 - 0.8
10	19-20		y	0 - 255	0 - 65,535	0.0 - 0.8
11	21-22	3	Master Intensity	0 - 255	0 - 65,535	0% - 100%
12	23-24		CCT	0 - 255	0 - 65,535	2000K - 10000K
13	25-26		Green Adjust	0 - 9 10 - 255	0 - 9 10 - 65,535	Neutral (0) Full magenta ~ Full green (-1.0 ~ +1.0)
14	27-28		x	0 - 255	0 - 65,535	0.0 - 0.8
15	29-30		y	0 - 255	0 - 65,535	0.0 - 0.8
16	31-32	4	Master Intensity	0 - 255	0 - 65,535	0% - 100%
17	33-34		CCT	0 - 255	0 - 65,535	2000K - 10000K
18	35-36		Green Adjust	0 - 9 10 - 255	0 - 9 10 - 65,535	Neutral (0) Full magenta ~ Full green (-1.0 ~ +1.0)
19	37-38		x	0 - 255	0 - 65,535	0.0 - 0.8
20	39-40		y	0 - 255	0 - 65,535	0.0 - 0.8
21	41		Reserved	TBD		
22	42	Fixture Setting (Not Specific to Any Pixels.)	Fan Setting	0 - 9 10 - 69 70 - 129 130 - 189 190 - 255	Use current setting in fixture Silent (Fan speed fixed) Auto (Fan speed variable) Fan full speed (Fan speed fixed) Fan off (Fan is off)	
23	43		Dimming Setting	0 - 9 10 - 99 100 - 255	Use current setting in fixture Sharp dimming Smooth dimming	
24	44		Strobe Frequency	0 - 9 10 - 255	Strobe off 1Hz - 25Hz	

Mode 88 (8-bit) / Mode 92 (16-bit) : PXL4 EZ CCT

8-bit DMX	16-bit DMX	Pixel	Function	8-bit/16-bit Value		Range
1	1-2	1	Master Intensity	0 - 255	0 - 65,535	0% - 100%
2	3-4		CCT	0 - 255	0 - 65,535	2000K - 10000K
3	5-6		Green Adjust	0 - 9 10 - 255	0 - 9 10 - 65,535	Neutral (0) Full magenta ~ Full green (-1.0 ~ +1.0)
4	7-8	2	Master Intensity	0 - 255	0 - 65,535	0% - 100%
5	9-10		CCT	0 - 255	0 - 65,535	2000K - 10000K
6	11-12		Green Adjust	0 - 9 10 - 255	0 - 9 10 - 65,535	Neutral (0) Full magenta ~ Full green (-1.0 ~ +1.0)
7	13-14	3	Master Intensity	0 - 255	0 - 65,535	0% - 100%
8	15-16		CCT	0 - 255	0 - 65,535	2000K - 10000K
9	17-18		Green Adjust	0 - 9 10 - 255	0 - 9 10 - 65,535	Neutral (0) Full magenta ~ Full green (-1.0 ~ +1.0)
10	19-20	4	Master Intensity	0 - 255	0 - 65,535	0% - 100%
11	21-22		CCT	0 - 255	0 - 65,535	2000K - 10000K
12	23-24		Green Adjust	0 - 9 10 - 255	0 - 9 10 - 65,535	Neutral (0) Full magenta ~ Full green (-1.0 ~ +1.0)

K10 COLOR / Matrix COLOR / QUAD COLOR Only (DMX Control Only)

Mode 89 (8-bit) / Mode 93 (16-bit) : PXL4 EZ HSI

8-bit DMX	16-bit DMX	Pixel	Function	8-bit/16-bit Value		Range
1	1-2	1	Master Intensity	0 - 255	0 - 65,535	0% - 100%
2	3-4		Hue	0 - 255	0 - 65,535	0° - 360°
3	5-6		Saturation	0 - 255	0 - 65,535	0% - 100%
4	7-8	2	Master Intensity	0 - 255	0 - 65,535	0% - 100%
5	9-10		Hue	0 - 255	0 - 65,535	0° - 360°
6	11-12		Saturation	0 - 255	0 - 65,535	0% - 100%
7	13-14	3	Master Intensity	0 - 255	0 - 65,535	0% - 100%
8	15-16		Hue	0 - 255	0 - 65,535	0° - 360°
9	17-18		Saturation	0 - 255	0 - 65,535	0% - 100%
10	19-20	4	Master Intensity	0 - 255	0 - 65,535	0% - 100%
11	21-22		Hue	0 - 255	0 - 65,535	0° - 360°
12	23-24		Saturation	0 - 255	0 - 65,535	0% - 100%

Mode 90 (8-bit) / Mode 94 (16-bit) : PXL4 EZ RGBW

8-bit DMX	16-bit DMX	Pixel	Function	8-bit/16-bit Value		Range
1	1-2	1	Master Intensity	0 - 255	0 - 65,535	0% - 100%
2	3-4		Intensity Red	0 - 255	0 - 65,535	0% - 100%
3	5-6		Intensity Green	0 - 255	0 - 65,535	0% - 100%
4	7-8		Intensity Blue	0 - 255	0 - 65,535	0% - 100%
5	9-10		Intensity White	0 - 255	0 - 65,535	0% - 100%
6	11-12	2	Master Intensity	0 - 255	0 - 65,535	0% - 100%
7	13-14		Intensity Red	0 - 255	0 - 65,535	0% - 100%
8	15-16		Intensity Green	0 - 255	0 - 65,535	0% - 100%
9	17-18		Intensity Blue	0 - 255	0 - 65,535	0% - 100%
10	19-20		Intensity White	0 - 255	0 - 65,535	0% - 100%
11	21-22	3	Master Intensity	0 - 255	0 - 65,535	0% - 100%
12	23-24		Intensity Red	0 - 255	0 - 65,535	0% - 100%
13	25-26		Intensity Green	0 - 255	0 - 65,535	0% - 100%
14	27-28		Intensity Blue	0 - 255	0 - 65,535	0% - 100%
15	29-30		Intensity White	0 - 255	0 - 65,535	0% - 100%
16	31-32	4	Master Intensity	0 - 255	0 - 65,535	0% - 100%
17	33-34		Intensity Red	0 - 255	0 - 65,535	0% - 100%
18	35-36		Intensity Green	0 - 255	0 - 65,535	0% - 100%
19	37-38		Intensity Blue	0 - 255	0 - 65,535	0% - 100%
20	39-40		Intensity White	0 - 255	0 - 65,535	0% - 100%

Mode 91 (8-bit) / Mode 95 (16-bit) : PXL4 EZ RGB

8-bit DMX	16-bit DMX	Pixel	Function	8-bit/16-bit Value		Range
1	1-2	1	Intensity Red	0 - 255	0 - 65,535	0% - 100%
2	3-4		Intensity Green	0 - 255	0 - 65,535	0% - 100%
3	5-6		Intensity Blue	0 - 255	0 - 65,535	0% - 100%
4	7-8	2	Intensity Red	0 - 255	0 - 65,535	0% - 100%
5	9-10		Intensity Green	0 - 255	0 - 65,535	0% - 100%
6	11-12		Intensity Blue	0 - 255	0 - 65,535	0% - 100%
7	13-14	3	Intensity Red	0 - 255	0 - 65,535	0% - 100%
8	15-16		Intensity Green	0 - 255	0 - 65,535	0% - 100%
9	17-18		Intensity Blue	0 - 255	0 - 65,535	0% - 100%
10	19-20	4	Intensity Red	0 - 255	0 - 65,535	0% - 100%
11	21-22		Intensity Green	0 - 255	0 - 65,535	0% - 100%
12	23-24		Intensity Blue	0 - 255	0 - 65,535	0% - 100%

Mode 102 (8-bit) / Mode 105 (16-bit) : PXL16 CIExy

8-bit DMX		16-bit DMX		Function	8-bit/16-bit Value		Range
Pixel 1	Pixel 2	Pixel 1	Pixel 2				
1	4	1-2	7-8	Master Intensity	0 - 255	0 - 65,535	0% - 100%
2	5	3-4	9-10	x	0 - 255	0 - 65,535	0.0 - 0.8
3	6	5-6	11-12	y	0 - 255	0 - 65,535	0.0 - 0.8
Pixel 3	Pixel 4	Pixel 3	Pixel 4				
7	10	13-14	19-20	Master Intensity	0 - 255	0 - 65,535	0% - 100%
8	11	15-16	21-22	x	0 - 255	0 - 65,535	0.0 - 0.8
9	12	17-18	23-24	y	0 - 255	0 - 65,535	0.0 - 0.8
Pixel 5	Pixel 6	Pixel 5	Pixel 6				
13	16	25-26	31-32	Master Intensity	0 - 255	0 - 65,535	0% - 100%
14	17	27-28	33-34	x	0 - 255	0 - 65,535	0.0 - 0.8
15	18	29-30	35-36	y	0 - 255	0 - 65,535	0.0 - 0.8
Pixel 7	Pixel 8	Pixel 7	Pixel 8				
19	22	37-38	43-44	Master Intensity	0 - 255	0 - 65,535	0% - 100%
20	23	39-40	45-46	x	0 - 255	0 - 65,535	0.0 - 0.8
21	24	41-42	47-48	y	0 - 255	0 - 65,535	0.0 - 0.8
Pixel 9	Pixel 10	Pixel 9	Pixel 10				
25	28	49-50	55-56	Master Intensity	0 - 255	0 - 65,535	0% - 100%
26	29	51-52	57-58	x	0 - 255	0 - 65,535	0.0 - 0.8
27	30	53-54	59-60	y	0 - 255	0 - 65,535	0.0 - 0.8
Pixel 11	Pixel 12	Pixel 11	Pixel 12				
31	34	61-62	67-68	Master Intensity	0 - 255	0 - 65,535	0% - 100%
32	35	63-64	69-70	x	0 - 255	0 - 65,535	0.0 - 0.8
33	36	65-66	71-72	y	0 - 255	0 - 65,535	0.0 - 0.8
Pixel 13	Pixel 14	Pixel 13	Pixel 14				
37	40	73-74	79-80	Master Intensity	0 - 255	0 - 65,535	0% - 100%
38	41	75-76	81-82	x	0 - 255	0 - 65,535	0.0 - 0.8
39	42	77-78	83-84	y	0 - 255	0 - 65,535	0.0 - 0.8
Pixel 15	Pixel 16	Pixel 15	Pixel 16				
43	46	85-86	91-92	Master Intensity	0 - 255	0 - 65,535	0% - 100%
44	47	87-88	93-94	x	0 - 255	0 - 65,535	0.0 - 0.8
45	48	89-90	95-96	y	0 - 255	0 - 65,535	0.0 - 0.8

Mode 102 (8-bit) / Mode 105 (16-bit) : PXL16 CIExy

8-bit DMX	16-bit DMX	Function	8-bit/16-bit Value	Range
49	97	Fan Setting	0 - 9 10 - 69 70 - 129 130 - 189 190 - 255	Use current setting in fixture Silent (Fan speed fixed) Auto (Fan speed variable) Fan full speed (Fan speed fixed) Fan off (Fan is off)
50	98	Dimming Setting	0 - 9 10 - 99 100 - 255	Use current setting in fixture Sharp dimming Smooth dimming
51	99	Strobe Frequency	0 - 9 10 - 255	Strobe off 1Hz - 25Hz

Mode 100 (8-bit) / Mode 103 (16-bit) : PXL16 CCTHSI

8-bit DMX		16-bit DMX		Function	8-bit/16-bit Value		Range
Pixel 1	Pixel 2	Pixel 1	Pixel 2				
1	7	1-2	13-14	Master Intensity	0 - 255	0 - 65,535	0% - 100%
2	8	3-4	15-16	CCT	0 - 255	0 - 65,535	2000K - 10000K
3	9	5-6	17-18	Green Adjust	0 - 9 10 - 255	0 - 9 10 - 65,535	Neutral (0) Full magenta ~ Full green (-1.0 ~ +1.0)
4	10	7-8	19-20	Crossfade	0 - 255	0 - 65,535	0% - 100%
5	11	9-10	21-22	Hue	0 - 255	0 - 65,535	0° - 360°
6	12	11-12	23-24	Saturation	0 - 255	0 - 65,535	0% - 100%
Pixel 3	Pixel 4	Pixel 3	Pixel 4				
13	19	25-26	37-38	Master Intensity	0 - 255	0 - 65,535	0% - 100%
14	20	27-28	39-40	CCT	0 - 255	0 - 65,535	2000K - 10000K
15	21	29-30	41-42	Green Adjust	0 - 9 10 - 255	0 - 9 10 - 65,535	Neutral (0) Full magenta ~ Full green (-1.0 ~ +1.0)
16	22	31-32	43-44	Crossfade	0 - 255	0 - 65,535	0% - 100%
17	23	33-34	45-46	Hue	0 - 255	0 - 65,535	0° - 360°
18	24	35-36	47-48	Saturation	0 - 255	0 - 65,535	0% - 100%
Pixel 5	Pixel 6	Pixel 5	Pixel 6				
25	31	49-50	61-62	Master Intensity	0 - 255	0 - 65,535	0% - 100%
26	32	51-52	63-64	CCT	0 - 255	0 - 65,535	2000K - 10000K
27	33	53-54	65-66	Green Adjust	0 - 9 10 - 255	0 - 9 10 - 65,535	Neutral (0) Full magenta ~ Full green (-1.0 ~ +1.0)
28	34	55-56	67-68	Crossfade	0 - 255	0 - 65,535	0% - 100%
29	35	57-58	69-70	Hue	0 - 255	0 - 65,535	0° - 360°
30	36	59-60	71-72	Saturation	0 - 255	0 - 65,535	0% - 100%
Pixel 7	Pixel 8	Pixel 7	Pixel 8				
37	43	73-74	85-86	Master Intensity	0 - 255	0 - 65,535	0% - 100%
38	44	75-76	87-88	CCT	0 - 255	0 - 65,535	2000K - 10000K
39	45	77-78	89-90	Green Adjust	0 - 9 10 - 255	0 - 9 10 - 65,535	Neutral (0) Full magenta ~ Full green (-1.0 ~ +1.0)
40	46	79-80	91-92	Crossfade	0 - 255	0 - 65,535	0% - 100%
41	47	81-82	93-94	Hue	0 - 255	0 - 65,535	0° - 360°
42	48	83-84	95-96	Saturation	0 - 255	0 - 65,535	0% - 100%
Pixel 9	Pixel 10	Pixel 9	Pixel 10				
49	55	97-98	109-110	Master Intensity	0 - 255	0 - 65,535	0% - 100%
50	56	99-100	111-112	CCT	0 - 255	0 - 65,535	2000K - 10000K
51	57	101-102	113-114	Green Adjust	0 - 9 10 - 255	0 - 9 10 - 65,535	Neutral (0) Full magenta ~ Full green (-1.0 ~ +1.0)
52	58	103-104	115-116	Crossfade	0 - 255	0 - 65,535	0% - 100%
53	59	105-106	117-118	Hue	0 - 255	0 - 65,535	0° - 360°
54	60	107-108	119-120	Saturation	0 - 255	0 - 65,535	0% - 100%

Mode 100 (8-bit) / Mode 103 (16-bit) : PXL16 CCTHSI

8-bit DMX		16-bit DMX		Function	8-bit/16-bit Value		Range
Pixel 11	Pixel 12	Pixel 11	Pixel 12				
61	67	121-122	133-134	Master Intensity	0 - 255	0 - 65,535	0% - 100%
62	68	123-124	135-136	CCT	0 - 255	0 - 65,535	2000K - 10000K
63	69	125-126	137-138	Green Adjust	0 - 9 10 - 255	0 - 9 10 - 65,535	Neutral (0) Full magenta ~ Full green (-1.0 ~ +1.0)
64	70	127-128	139-140	Crossfade	0 - 255	0 - 65,535	0% - 100%
65	71	129-130	141-142	Hue	0 - 255	0 - 65,535	0° - 360°
66	72	131-132	143-144	Saturation	0 - 255	0 - 65,535	0% - 100%
Pixel 13	Pixel 14	Pixel 13	Pixel 14				
73	79	145-146	157-158	Master Intensity	0 - 255	0 - 65,535	0% - 100%
74	80	147-148	159-160	CCT	0 - 255	0 - 65,535	2000K - 10000K
75	81	149-150	161-162	Green Adjust	0 - 9 10 - 255	0 - 9 10 - 65,535	Neutral (0) Full magenta ~ Full green (-1.0 ~ +1.0)
76	82	151-152	163-164	Crossfade	0 - 255	0 - 65,535	0% - 100%
77	83	153-154	165-166	Hue	0 - 255	0 - 65,535	0° - 360°
78	84	155-156	167-168	Saturation	0 - 255	0 - 65,535	0% - 100%
Pixel 15	Pixel 16	Pixel 15	Pixel 16				
85	91	169-170	181-182	Master Intensity	0 - 255	0 - 65,535	0% - 100%
86	92	171-172	183-184	CCT	0 - 255	0 - 65,535	2000K - 10000K
87	93	173-174	185-186	Green Adjust	0 - 9 10 - 255	0 - 9 10 - 65,535	Neutral (0) Full magenta ~ Full green (-1.0 ~ +1.0)
88	94	175-176	187-188	Crossfade	0 - 255	0 - 65,535	0% - 100%
89	95	177-178	189-190	Hue	0 - 255	0 - 65,535	0° - 360°
90	96	179-180	191-192	Saturation	0 - 255	0 - 65,535	0% - 100%
97		193		Fan Setting	0 - 9 10 - 69 70 - 129 130 - 189 190 - 255		Use current setting in fixture Silent (Fan speed fixed) Auto (Fan speed variable) Fan full speed (Fan speed fixed) Fan off (Fan is off)
98		194		Dimming Setting	0 - 9 10 - 99 100 - 255		Use current setting in fixture Sharp dimming Smooth dimming
99		195		Strobe Frequency	0 - 9 10 - 255		Strobe off 1Hz - 25Hz

Mode 101 (8-bit) / Mode 104 (16-bit) : PXL16 CCTRGBW

8-bit DMX		16-bit DMX		Function	8-bit/16-bit Value		Range
Pixel 1	Pixel 2	Pixel 1	Pixel 2				
1	9	1-2	17-18	Master Intensity	0 - 255	0 - 65,535	0% - 100%
2	10	3-4	19-20	CCT	0 - 255	0 - 65,535	2000K - 10000K
3	11	5-6	21-22	Green Adjust	0 - 9 10 - 255	0 - 9 10 - 65,535	Neutral (0) Full magenta ~ Full green (-1.0 ~ +1.0)
4	12	7-8	23-24	Crossfade	0 - 255	0 - 65,535	0% - 100%
5	13	9-10	25-26	Intensity Red	0 - 255	0 - 65,535	0% - 100%
6	14	11-12	27-28	Intensity Green	0 - 255	0 - 65,535	0% - 100%
7	15	13-14	29-30	Intensity Blue	0 - 255	0 - 65,535	0% - 100%
8	16	15-16	31-32	Intensity White	0 - 255	0 - 65,535	0% - 100%
Pixel 3	Pixel 4	Pixel 3	Pixel 4				
17	25	33-34	49-50	Master Intensity	0 - 255	0 - 65,535	0% - 100%
18	26	35-36	51-52	CCT	0 - 255	0 - 65,535	2000K - 10000K
19	27	37-38	53-54	Green Adjust	0 - 9 10 - 255	0 - 9 10 - 65,535	Neutral (0) Full magenta ~ Full green (-1.0 ~ +1.0)
20	28	39-40	55-56	Crossfade	0 - 255	0 - 65,535	0% - 100%
21	29	41-42	57-58	Intensity Red	0 - 255	0 - 65,535	0% - 100%
22	30	43-44	59-60	Intensity Green	0 - 255	0 - 65,535	0% - 100%
23	31	45-46	61-62	Intensity Blue	0 - 255	0 - 65,535	0% - 100%
24	32	47-48	63-64	Intensity White	0 - 255	0 - 65,535	0% - 100%
Pixel 5	Pixel 6	Pixel 5	Pixel 6				
33	41	65-66	81-82	Master Intensity	0 - 255	0 - 65,535	0% - 100%
34	42	67-68	83-84	CCT	0 - 255	0 - 65,535	2000K - 10000K
35	43	69-70	85-86	Green Adjust	0 - 9 10 - 255	0 - 9 10 - 65,535	Neutral (0) Full magenta ~ Full green (-1.0 ~ +1.0)
36	44	71-72	87-88	Crossfade	0 - 255	0 - 65,535	0% - 100%
37	45	73-74	89-90	Intensity Red	0 - 255	0 - 65,535	0% - 100%
38	46	75-76	91-92	Intensity Green	0 - 255	0 - 65,535	0% - 100%
39	47	77-78	93-94	Intensity Blue	0 - 255	0 - 65,535	0% - 100%
40	48	79-80	95-96	Intensity White	0 - 255	0 - 65,535	0% - 100%

Mode 101 (8-bit) / Mode 104 (16-bit) : PXL16 CCTRGBW

8-bit DMX		16-bit DMX		Function	8-bit/16-bit Value		Range
Pixel 7	Pixel 8	Pixel 7	Pixel 8				
49	57	97-98	113-114	Master Intensity	0 - 255	0 - 65,535	0% - 100%
50	58	99-100	115-116	CCT	0 - 255	0 - 65,535	2000K - 10000K
51	59	101-102	117-118	Green Adjust	0 - 9 10 - 255	0 - 9 10 - 65,535	Neutral (0) Full magenta ~ Full green (-1.0 ~ +1.0)
52	60	103-104	119-120	Crossfade	0 - 255	0 - 65,535	0% - 100%
53	61	105-106	121-122	Intensity Red	0 - 255	0 - 65,535	0% - 100%
54	62	107-108	123-124	Intensity Green	0 - 255	0 - 65,535	0% - 100%
55	63	109-110	125-126	Intensity Blue	0 - 255	0 - 65,535	0% - 100%
56	64	111-112	127-128	Intensity White	0 - 255	0 - 65,535	0% - 100%
Pixel 9	Pixel 10	Pixel 9	Pixel 10				
65	73	129-130	145-146	Master Intensity	0 - 255	0 - 65,535	0% - 100%
66	74	131-132	147-148	CCT	0 - 255	0 - 65,535	2000K - 10000K
67	75	133-134	149-150	Green Adjust	0 - 9 10 - 255	0 - 9 10 - 65,535	Neutral (0) Full magenta ~ Full green (-1.0 ~ +1.0)
68	76	135-136	151-152	Crossfade	0 - 255	0 - 65,535	0% - 100%
69	77	137-138	153-154	Intensity Red	0 - 255	0 - 65,535	0% - 100%
70	78	139-140	155-156	Intensity Green	0 - 255	0 - 65,535	0% - 100%
71	79	141-142	157-158	Intensity Blue	0 - 255	0 - 65,535	0% - 100%
72	80	143-144	159-160	Intensity White	0 - 255	0 - 65,535	0% - 100%
Pixel 11	Pixel 12	Pixel 11	Pixel 12				
81	89	161-162	177-178	Master Intensity	0 - 255	0 - 65,535	0% - 100%
82	90	163-164	179-180	CCT	0 - 255	0 - 65,535	2000K - 10000K
83	91	165-166	181-182	Green Adjust	0 - 9 10 - 255	0 - 9 10 - 65,535	Neutral (0) Full magenta ~ Full green (-1.0 ~ +1.0)
84	92	167-168	183-184	Crossfade	0 - 255	0 - 65,535	0% - 100%
85	93	169-170	185-186	Intensity Red	0 - 255	0 - 65,535	0% - 100%
86	94	171-172	187-188	Intensity Green	0 - 255	0 - 65,535	0% - 100%
87	95	173-174	189-190	Intensity Blue	0 - 255	0 - 65,535	0% - 100%
88	96	175-176	191-192	Intensity White	0 - 255	0 - 65,535	0% - 100%

Mode 101 (8-bit) / Mode 104 (16-bit) : PXL16 CCTRGBW

8-bit DMX		16-bit DMX		Function	8-bit/16-bit Value		Range
Pixel 13	Pixel 14	Pixel 13	Pixel 14				
97	105	193-194	209-210	Master Intensity	0 - 255	0 - 65,535	0% - 100%
98	106	195-196	211-212	CCT	0 - 255	0 - 65,535	2000K - 10000K
99	107	197-198	213-214	Green Adjust	0 - 9 10 - 255	0 - 9 10 - 65,535	Neutral (0) Full magenta ~ Full green (-1.0 ~ +1.0)
100	108	199-200	215-216	Crossfade	0 - 255	0 - 65,535	0% - 100%
101	109	201-202	217-218	Intensity Red	0 - 255	0 - 65,535	0% - 100%
102	110	203-204	219-220	Intensity Green	0 - 255	0 - 65,535	0% - 100%
103	111	205-206	221-222	Intensity Blue	0 - 255	0 - 65,535	0% - 100%
104	112	207-208	223-224	Intensity White	0 - 255	0 - 65,535	0% - 100%
Pixel 15	Pixel 16	Pixel 15	Pixel 16				
113	121	225-226	241-242	Master Intensity	0 - 255	0 - 65,535	0% - 100%
114	122	227-228	243-244	CCT	0 - 255	0 - 65,535	2000K - 10000K
115	123	229-230	245-246	Green Adjust	0 - 9 10 - 255	0 - 9 10 - 65,535	Neutral (0) Full magenta ~ Full green (-1.0 ~ +1.0)
116	124	231-232	247-248	Crossfade	0 - 255	0 - 65,535	0% - 100%
117	125	233-234	249-250	Intensity Red	0 - 255	0 - 65,535	0% - 100%
118	126	235-236	251-252	Intensity Green	0 - 255	0 - 65,535	0% - 100%
119	127	237-238	253-254	Intensity Blue	0 - 255	0 - 65,535	0% - 100%
120	128	239-240	255-256	Intensity White	0 - 255	0 - 65,535	0% - 100%
129		257		Fan Setting	0 - 9 10 - 69 70 - 129 130 - 189 190 - 255		Use current setting in fixture Silent (Fan speed fixed) Auto (Fan speed variable) Fan full speed (Fan speed fixed) Fan off (Fan is off)
130		258		Dimming Setting	0 - 9 10 - 99 100 - 255		Use current setting in fixture Sharp dimming Smooth dimming
131		259		Strobe Frequency	0 - 9 10 - 255		Strobe off 1Hz - 25Hz

Mode 106 (8-bit) / Mode 110 (16-bit) : PXL16 CCTxy

8-bit DMX		16-bit DMX		Function	8-bit/16-bit Value		Range
Pixel 1	Pixel 2	Pixel 1	Pixel 2				
1	7	1-2	13-14	Master Intensity	0 - 255	0 - 65,535	0% - 100%
2	8	3-4	15-16	CCT	0 - 255	0 - 65,535	2000K - 10000K
3	9	5-6	17-18	Green Adjust	0 - 9 10 - 255	0 - 9 10 - 65,535	Neutral (0) Full magenta ~ Full green (-1.0 ~ +1.0)
4	10	7-8	19-20	Crossfade	0 - 255	0 - 65,535	0% - 100%
5	11	9-10	21-22	x	0 - 255	0 - 65,535	0.0 - 0.8
6	12	11-12	23-24	y	0 - 255	0 - 65,535	0.0 - 0.8
Pixel 3	Pixel 4	Pixel 3	Pixel 4				
13	19	25-26	37-38	Master Intensity	0 - 255	0 - 65,535	0% - 100%
14	20	27-28	39-40	CCT	0 - 255	0 - 65,535	2000K - 10000K
15	21	29-30	41-42	Green Adjust	0 - 9 10 - 255	0 - 9 10 - 65,535	Neutral (0) Full magenta ~ Full green (-1.0 ~ +1.0)
16	22	31-32	43-44	Crossfade	0 - 255	0 - 65,535	0% - 100%
17	23	33-34	45-46	x	0 - 255	0 - 65,535	0.0 - 0.8
18	24	35-36	47-48	y	0 - 255	0 - 65,535	0.0 - 0.8
Pixel 5	Pixel 6	Pixel 5	Pixel 6				
25	31	49-50	61-62	Master Intensity	0 - 255	0 - 65,535	0% - 100%
26	32	51-52	63-64	CCT	0 - 255	0 - 65,535	2000K - 10000K
27	33	53-54	65-66	Green Adjust	0 - 9 10 - 255	0 - 9 10 - 65,535	Neutral (0) Full magenta ~ Full green (-1.0 ~ +1.0)
28	34	55-56	67-68	Crossfade	0 - 255	0 - 65,535	0% - 100%
29	35	57-58	69-70	x	0 - 255	0 - 65,535	0.0 - 0.8
30	36	59-60	71-72	y	0 - 255	0 - 65,535	0.0 - 0.8
Pixel 7	Pixel 8	Pixel 7	Pixel 8				
37	43	73-74	85-86	Master Intensity	0 - 255	0 - 65,535	0% - 100%
38	44	75-76	87-88	CCT	0 - 255	0 - 65,535	2000K - 10000K
39	45	77-78	89-90	Green Adjust	0 - 9 10 - 255	0 - 9 10 - 65,535	Neutral (0) Full magenta ~ Full green (-1.0 ~ +1.0)
40	46	79-80	91-92	Crossfade	0 - 255	0 - 65,535	0% - 100%
41	47	81-82	93-94	x	0 - 255	0 - 65,535	0.0 - 0.8
42	48	83-84	95-96	y	0 - 255	0 - 65,535	0.0 - 0.8
Pixel 9	Pixel 10	Pixel 9	Pixel 10				
49	55	97-98	109-110	Master Intensity	0 - 255	0 - 65,535	0% - 100%
50	56	99-100	111-112	CCT	0 - 255	0 - 65,535	2000K - 10000K
51	57	101-102	113-114	Green Adjust	0 - 9 10 - 255	0 - 9 10 - 65,535	Neutral (0) Full magenta ~ Full green (-1.0 ~ +1.0)
52	58	103-104	115-116	Crossfade	0 - 255	0 - 65,535	0% - 100%
53	59	105-106	117-118	x	0 - 255	0 - 65,535	0.0 - 0.8
54	60	107-108	119-120	y	0 - 255	0 - 65,535	0.0 - 0.8

Mode 106 (8-bit) / Mode 110 (16-bit) : PXL16 CCTxy

8-bit DMX		16-bit DMX		Function	8-bit/16-bit Value		Range
Pixel 11	Pixel 12	Pixel 11	Pixel 12				
61	67	121-122	133-134	Master Intensity	0 - 255	0 - 65,535	0% - 100%
62	68	123-124	135-136	CCT	0 - 255	0 - 65,535	2000K - 10000K
63	69	125-126	137-138	Green Adjust	0 - 9 10 - 255	0 - 9 10 - 65,535	Neutral (0) Full magenta ~ Full green (-1.0 ~ +1.0)
64	70	127-128	139-140	Crossfade	0 - 255	0 - 65,535	0% - 100%
65	71	129-130	141-142	x	0 - 255	0 - 65,535	0.0 - 0.8
66	72	131-132	143-144	y	0 - 255	0 - 65,535	0.0 - 0.8
Pixel 13	Pixel 14	Pixel 13	Pixel 14				
73	79	145-146	157-158	Master Intensity	0 - 255	0 - 65,535	0% - 100%
74	80	147-148	159-160	CCT	0 - 255	0 - 65,535	2000K - 10000K
75	81	149-150	161-162	Green Adjust	0 - 9 10 - 255	0 - 9 10 - 65,535	Neutral (0) Full magenta ~ Full green (-1.0 ~ +1.0)
76	82	151-152	163-164	Crossfade	0 - 255	0 - 65,535	0% - 100%
77	83	153-154	165-166	x	0 - 255	0 - 65,535	0.0 - 0.8
78	84	155-156	167-168	y	0 - 255	0 - 65,535	0.0 - 0.8
Pixel 15	Pixel 16	Pixel 15	Pixel 16				
85	91	169-170	181-182	Master Intensity	0 - 255	0 - 65,535	0% - 100%
86	92	171-172	183-184	CCT	0 - 255	0 - 65,535	2000K - 10000K
87	93	173-174	185-186	Green Adjust	0 - 9 10 - 255	0 - 9 10 - 65,535	Neutral (0) Full magenta ~ Full green (-1.0 ~ +1.0)
88	94	175-176	187-188	Crossfade	0 - 255	0 - 65,535	0% - 100%
89	95	177-178	189-190	x	0 - 255	0 - 65,535	0.0 - 0.8
90	96	179-180	191-192	y	0 - 255	0 - 65,535	0.0 - 0.8
97		193		Fan Setting	0 - 9 10 - 69 70 - 129 130 - 189 190 - 255		Use current setting in fixture Silent (Fan speed fixed) Auto (Fan speed variable) Fan full speed (Fan speed fixed) Fan off (Fan is off)
98		194		Dimming Setting	0 - 9 10 - 99 100 - 255		Use current setting in fixture Sharp dimming Smooth dimming
99		195		Strobe Frequency	0 - 9 10 - 255		Strobe off 1Hz - 25Hz

Mode 107 (8-bit) / Mode 111 (16-bit) : PXL16 ICTHS

8-bit DMX		16-bit DMX		Function	8-bit/16-bit Value		Range
Pixel 1	Pixel 2	Pixel 1	Pixel 2				
1	6	1-2	11-12	Master Intensity	0 - 255	0 - 65,535	0% - 100%
2	7	3-4	13-14	CCT	0 - 255	0 - 65,535	2000K - 10000K
3	8	5-6	15-16	Green Adjust	0 - 9 10 - 255	0 - 9 10 - 65,535	Neutral (0) Full magenta ~ Full green (-1.0 ~ +1.0)
4	9	7-8	17-18	Hue	0 - 255	0 - 65,535	0° - 360°
5	10	9-10	19-20	Saturation	0 - 255	0 - 65,535	0% - 100%
Pixel 3	Pixel 4	Pixel 3	Pixel 4				
11	16	21-22	31-32	Master Intensity	0 - 255	0 - 65,535	0% - 100%
12	17	23-24	33-34	CCT	0 - 255	0 - 65,535	2000K - 10000K
13	18	25-26	35-36	Green Adjust	0 - 9 10 - 255	0 - 9 10 - 65,535	Neutral (0) Full magenta ~ Full green (-1.0 ~ +1.0)
14	19	27-28	37-38	Hue	0 - 255	0 - 65,535	0° - 360°
15	20	29-30	39-40	Saturation	0 - 255	0 - 65,535	0% - 100%
Pixel 5	Pixel 6	Pixel 5	Pixel 6				
21	26	41-42	51-52	Master Intensity	0 - 255	0 - 65,535	0% - 100%
22	27	43-44	53-54	CCT	0 - 255	0 - 65,535	2000K - 10000K
23	28	45-46	55-56	Green Adjust	0 - 9 10 - 255	0 - 9 10 - 65,535	Neutral (0) Full magenta ~ Full green (-1.0 ~ +1.0)
24	29	47-48	57-58	Hue	0 - 255	0 - 65,535	0° - 360°
25	30	49-50	59-60	Saturation	0 - 255	0 - 65,535	0% - 100%
Pixel 7	Pixel 8	Pixel 7	Pixel 8				
31	36	61-62	71-72	Master Intensity	0 - 255	0 - 65,535	0% - 100%
32	37	63-64	73-74	CCT	0 - 255	0 - 65,535	2000K - 10000K
33	38	65-66	75-76	Green Adjust	0 - 9 10 - 255	0 - 9 10 - 65,535	Neutral (0) Full magenta ~ Full green (-1.0 ~ +1.0)
34	39	67-68	77-78	Hue	0 - 255	0 - 65,535	0° - 360°
35	40	69-70	79-80	Saturation	0 - 255	0 - 65,535	0% - 100%
Pixel 9	Pixel 10	Pixel 9	Pixel 10				
41	46	81-82	91-92	Master Intensity	0 - 255	0 - 65,535	0% - 100%
42	47	83-84	93-94	CCT	0 - 255	0 - 65,535	2000K - 10000K
43	48	85-86	95-96	Green Adjust	0 - 9 10 - 255	0 - 9 10 - 65,535	Neutral (0) Full magenta ~ Full green (-1.0 ~ +1.0)

Mode 107 (8-bit) / Mode 111 (16-bit) : PXL16 ICTHS

8-bit DMX		16-bit DMX		Function	8-bit/16-bit Value		Range
44	49	87-88	97-98	Hue	0 - 255	0 - 65,535	0° - 360°
45	50	89-90	99-100	Saturation	0 - 255	0 - 65,535	0% - 100%
Pixel 11	Pixel 12	Pixel 11	Pixel 12				
51	56	101-102	111-112	Master Intensity	0 - 255	0 - 65,535	0% - 100%
52	57	103-104	113-114	CCT	0 - 255	0 - 65,535	2000K - 10000K
53	58	105-106	115-116	Green Adjust	0 - 9 10 - 255	0 - 9 10 - 65,535	Neutral (0) Full magenta ~ Full green (-1.0 ~ +1.0)
54	59	107-108	117-118	Hue	0 - 255	0 - 65,535	0° - 360°
55	60	109-110	119-120	Saturation	0 - 255	0 - 65,535	0% - 100%
Pixel 13	Pixel 14	Pixel 13	Pixel 14				
61	66	121-122	131-132	Master Intensity	0 - 255	0 - 65,535	0% - 100%
62	67	123-124	133-134	CCT	0 - 255	0 - 65,535	2000K - 10000K
63	68	125-126	135-136	Green Adjust	0 - 9 10 - 255	0 - 9 10 - 65,535	Neutral (0) Full magenta ~ Full green (-1.0 ~ +1.0)
64	69	127-128	137-138	Hue	0 - 255	0 - 65,535	0° - 360°
65	70	129-130	139-140	Saturation	0 - 255	0 - 65,535	0% - 100%
Pixel 15	Pixel 16	Pixel 15	Pixel 16				
71	76	141-142	151-152	Master Intensity	0 - 255	0 - 65,535	0% - 100%
72	77	143-144	153-154	CCT	0 - 255	0 - 65,535	2000K - 10000K
73	78	145-146	155-156	Green Adjust	0 - 9 10 - 255	0 - 9 10 - 65,535	Neutral (0) Full magenta ~ Full green (-1.0 ~ +1.0)
74	79	147-148	157-158	Hue	0 - 255	0 - 65,535	0° - 360°
75	80	149-150	159-160	Saturation	0 - 255	0 - 65,535	0% - 100%
81	161	Reserved		TBD			
82	162	Fan Setting	0 - 9 10 - 69 70 - 129 130 - 189 190 - 255		Use current setting in fixture Silent (Fan speed fixed) Auto (Fan speed variable) Fan full speed (Fan speed fixed) Fan off (Fan is off)		
83	163	Dimming Setting	0 - 9 10 - 99 100 - 255		Use current setting in fixture Sharp dimming Smooth dimming		
84	164	Strobe Frequency	0 - 9 10 - 255		Strobe off 1Hz - 25Hz		

Mode 108 (8-bit) / Mode 112 (16-bit) : PXL16 ICTRGBW

8-bit DMX		16-bit DMX		Function	8-bit/16-bit Value		Range
Pixel 1	Pixel 2	Pixel 1	Pixel 2				
1	8	1-2	15-16	Master Intensity	0 - 255	0 - 65,535	0% - 100%
2	9	3-4	17-18	CCT	0 - 255	0 - 65,535	2000K - 10000K
3	10	5-6	19-20	Green Adjust	0 - 9 10 - 255	0 - 9 10 - 65,535	Neutral (0) Full magenta ~ Full green (-1.0 ~ +1.0)
4	11	7-8	21-22	Intensity Red	0 - 255	0 - 65,535	0% - 100%
5	12	9-10	23-24	Intensity Green	0 - 255	0 - 65,535	0% - 100%
6	13	11-12	25-26	Intensity Blue	0 - 255	0 - 65,535	0% - 100%
7	14	13-14	27-28	Intensity White	0 - 255	0 - 65,535	0% - 100%
Pixel 3	Pixel 4	Pixel 3	Pixel 4				
15	22	29-30	43-44	Master Intensity	0 - 255	0 - 65,535	0% - 100%
16	23	31-32	45-46	CCT	0 - 255	0 - 65,535	2000K - 10000K
17	24	33-34	47-48	Green Adjust	0 - 9 10 - 255	0 - 9 10 - 65,535	Neutral (0) Full magenta ~ Full green (-1.0 ~ +1.0)
18	25	35-36	49-50	Intensity Red	0 - 255	0 - 65,535	0% - 100%
19	26	37-38	51-52	Intensity Green	0 - 255	0 - 65,535	0% - 100%
20	27	39-40	53-54	Intensity Blue	0 - 255	0 - 65,535	0% - 100%
21	28	41-42	55-56	Intensity White	0 - 255	0 - 65,535	0% - 100%
Pixel 5	Pixel 6	Pixel 5	Pixel 6				
29	36	57-58	71-72	Master Intensity	0 - 255	0 - 65,535	0% - 100%
30	37	59-60	73-74	CCT	0 - 255	0 - 65,535	2000K - 10000K
31	38	61-62	75-76	Green Adjust	0 - 9 10 - 255	0 - 9 10 - 65,535	Neutral (0) Full magenta ~ Full green (-1.0 ~ +1.0)
32	39	63-64	77-78	Intensity Red	0 - 255	0 - 65,535	0% - 100%
33	40	65-66	79-80	Intensity Green	0 - 255	0 - 65,535	0% - 100%
34	41	67-68	81-82	Intensity Blue	0 - 255	0 - 65,535	0% - 100%
35	42	69-70	83-84	Intensity White	0 - 255	0 - 65,535	0% - 100%
Pixel 7	Pixel 8	Pixel 7	Pixel 8				
43	50	85-86	99-100	Master Intensity	0 - 255	0 - 65,535	0% - 100%
44	51	87-88	101-102	CCT	0 - 255	0 - 65,535	2000K - 10000K

Mode 108 (8-bit) / Mode 112 (16-bit) : PXL16 ICTRGBW

8-bit DMX		16-bit DMX		Function	8-bit/16-bit Value		Range
45	52	89-90	103-104	Green Adjust	0 - 9 10 - 255	0 - 9 10 - 65, 535	Neutral (0) Full magenta ~ Full green (-1.0 ~ +1.0)
46	53	91-92	105-106	Intensity Red	0 - 255	0 - 65, 535	0% - 100%
47	54	93-94	107-108	Intensity Green	0 - 255	0 - 65, 535	0% - 100%
48	55	95-96	109-110	Intensity Blue	0 - 255	0 - 65, 535	0% - 100%
49	56	97-98	111-112	Intensity White	0 - 255	0 - 65, 535	0% - 100%
Pixel 9	Pixel 10	Pixel 9	Pixel 10				
57	64	113-114	127-128	Master Intensity	0 - 255	0 - 65, 535	0% - 100%
58	65	115-116	129-130	CCT	0 - 255	0 - 65, 535	2000K - 10000K
59	66	117-118	131-132	Green Adjust	0 - 9 10 - 255	0 - 9 10 - 65, 535	Neutral (0) Full magenta ~ Full green (-1.0 ~ +1.0)
60	67	119-120	133-134	Intensity Red	0 - 255	0 - 65, 535	0% - 100%
61	68	121-122	135-136	Intensity Green	0 - 255	0 - 65, 535	0% - 100%
62	69	123-124	137-138	Intensity Blue	0 - 255	0 - 65, 535	0% - 100%
63	70	125-126	139-140	Intensity White	0 - 255	0 - 65, 535	0% - 100%
Pixel 11	Pixel 12	Pixel 11	Pixel 12				
71	78	141-142	155-156	Master Intensity	0 - 255	0 - 65, 535	0% - 100%
72	79	143-144	157-158	CCT	0 - 255	0 - 65, 535	2000K - 10000K
73	80	145-146	159-160	Green Adjust	0 - 9 10 - 255	0 - 9 10 - 65, 535	Neutral (0) Full magenta ~ Full green (-1.0 ~ +1.0)
74	81	147-148	161-162	Intensity Red	0 - 255	0 - 65, 535	0% - 100%
75	82	149-150	163-164	Intensity Green	0 - 255	0 - 65, 535	0% - 100%
76	83	151-152	165-166	Intensity Blue	0 - 255	0 - 65, 535	0% - 100%
77	84	153-154	167-168	Intensity White	0 - 255	0 - 65, 535	0% - 100%
Pixel 13	Pixel 14	Pixel 13	Pixel 14				
85	92	169-170	183-184	Master Intensity	0 - 255	0 - 65, 535	0% - 100%
86	93	171-172	185-186	CCT	0 - 255	0 - 65, 535	2000K - 10000K
87	94	173-174	187-188	Green Adjust	0 - 9 10 - 255	0 - 9 10 - 65, 535	Neutral (0) Full magenta ~ Full green (-1.0 ~ +1.0)
88	95	175-176	189-190	Intensity Red	0 - 255	0 - 65, 535	0% - 100%

Mode 108 (8-bit) / Mode 112 (16-bit) : PXL16 ICTRGBW

8-bit DMX		16-bit DMX		Function	8-bit/16-bit Value		Range
89	96	177-178	191-192	Intensity Green	0 - 255	0 - 65,535	0% - 100%
90	97	179-180	193-194	Intensity Blue	0 - 255	0 - 65,535	0% - 100%
91	98	181-182	195-196	Intensity White	0 - 255	0 - 65,535	0% - 100%
Pixel 15	Pixel 16	Pixel 15	Pixel 16				
99	106	197-198	211-212	Master Intensity	0 - 255	0 - 65,535	0% - 100%
100	107	199-200	213-214	CCT	0 - 255	0 - 65,535	2000K - 10000K
101	108	201-202	215-216	Green Adjust	0 - 9 10 - 255	0 - 9 10 - 65,535	Neutral (0) Full magenta ~ Full green (-1.0 ~ +1.0)
102	109	203-204	217-218	Intensity Red	0 - 255	0 - 65,535	0% - 100%
103	110	205-206	219-220	Intensity Green	0 - 255	0 - 65,535	0% - 100%
104	111	207-208	221-222	Intensity Blue	0 - 255	0 - 65,535	0% - 100%
105	112	209-210	223-224	Intensity White	0 - 255	0 - 65,535	0% - 100%
113	225		Reserved		TBD		
114	226		Fan Setting		0 - 9 10 - 69 70 - 129 130 - 189 190 - 255	Use current setting in fixture Silent (Fan speed fixed) Auto (Fan speed variable) Fan full speed (Fan speed fixed) Fan off (Fan is off)	
115	227		Dimming Setting		0 - 9 10 - 99 100 - 255	Use current setting in fixture Sharp dimming Smooth dimming	
116	228		Strobe Frequency		0 - 9 10 - 255	Strobe off 1Hz - 25Hz	

Mode 109 (8-bit) / Mode 113 (16-bit) : PXL16 ICTxy

8-bit DMX		16-bit DMX		Function	8-bit/16-bit Value		Range
Pixel 1	Pixel 2	Pixel 1	Pixel 2				
1	6	1-2	11-12	Master Intensity	0 - 255	0 - 65, 535	0% - 100%
2	7	3-4	13-14	CCT	0 - 255	0 - 65, 535	2000K - 10000K
3	8	5-6	15-16	Green Adjust	0 - 9 10 - 255	0 - 9 10 - 65, 535	Neutral (0) Full magenta ~ Full green (-1.0 ~ +1.0)
4	9	7-8	17-18	x	0 - 255	0 - 65, 535	0.0 - 0.8
5	10	9-10	19-20	y	0 - 255	0 - 65, 535	0.0 - 0.8
Pixel 3	Pixel 4	Pixel 3	Pixel 4				
11	16	21-22	31-32	Master Intensity	0 - 255	0 - 65, 535	0% - 100%
12	17	23-24	33-34	CCT	0 - 255	0 - 65, 535	2000K - 10000K
13	18	25-26	35-36	Green Adjust	0 - 9 10 - 255	0 - 9 10 - 65, 535	Neutral (0) Full magenta ~ Full green (-1.0 ~ +1.0)
14	19	27-28	37-38	x	0 - 255	0 - 65, 535	0.0 - 0.8
15	20	29-30	39-40	y	0 - 255	0 - 65, 535	0.0 - 0.8
Pixel 5	Pixel 6	Pixel 5	Pixel 6				
21	26	41-42	51-52	Master Intensity	0 - 255	0 - 65, 535	0% - 100%
22	27	43-44	53-54	CCT	0 - 255	0 - 65, 535	2000K - 10000K
23	28	45-46	55-56	Green Adjust	0 - 9 10 - 255	0 - 9 10 - 65, 535	Neutral (0) Full magenta ~ Full green (-1.0 ~ +1.0)
24	29	47-48	57-58	x	0 - 255	0 - 65, 535	0.0 - 0.8
25	30	49-50	59-60	y	0 - 255	0 - 65, 535	0.0 - 0.8
Pixel 7	Pixel 8	Pixel 7	Pixel 8				
31	36	61-62	71-72	Master Intensity	0 - 255	0 - 65, 535	0% - 100%
32	37	63-64	73-74	CCT	0 - 255	0 - 65, 535	2000K - 10000K
33	38	65-66	75-76	Green Adjust	0 - 9 10 - 255	0 - 9 10 - 65, 535	Neutral (0) Full magenta ~ Full green (-1.0 ~ +1.0)
34	39	67-68	77-78	x	0 - 255	0 - 65, 535	0.0 - 0.8
35	40	69-70	79-80	y	0 - 255	0 - 65, 535	0.0 - 0.8
Pixel 9	Pixel 10	Pixel 9	Pixel 10				
41	46	81-82	91-92	Master Intensity	0 - 255	0 - 65, 535	0% - 100%
42	47	83-84	93-94	CCT	0 - 255	0 - 65, 535	2000K - 10000K
43	48	85-86	95-96	Green Adjust	0 - 9 10 - 255	0 - 9 10 - 65, 535	Neutral (0) Full magenta ~ Full green (-1.0 ~ +1.0)

Mode 109 (8-bit) / Mode 113 (16-bit) : PXL16 ICTxy

8-bit DMX		16-bit DMX		Function	8-bit/16-bit Value		Range
44	49	87-88	97-98	x	0 - 255	0 - 65,535	0.0 - 0.8
45	50	89-90	99-100	y	0 - 255	0 - 65,535	0.0 - 0.8
Pixel 11	Pixel 12	Pixel 11	Pixel 12				
51	56	101-102	111-112	Master Intensity	0 - 255	0 - 65,535	0% - 100%
52	57	103-104	113-114	CCT	0 - 255	0 - 65,535	2000K - 10000K
53	58	105-106	115-116	Green Adjust	0 - 9 10 - 255	0 - 9 10 - 65,535	Neutral (0) Full magenta ~ Full green (-1.0 ~ +1.0)
54	59	107-108	117-118	x	0 - 255	0 - 65,535	0.0 - 0.8
55	60	109-110	119-120	y	0 - 255	0 - 65,535	0.0 - 0.8
Pixel 13	Pixel 14	Pixel 13	Pixel 14				
61	66	121-122	131-132	Master Intensity	0 - 255	0 - 65,535	0% - 100%
62	67	123-124	133-134	CCT	0 - 255	0 - 65,535	2000K - 10000K
63	68	125-126	135-136	Green Adjust	0 - 9 10 - 255	0 - 9 10 - 65,535	Neutral (0) Full magenta ~ Full green (-1.0 ~ +1.0)
64	69	127-128	137-138	x	0 - 255	0 - 65,535	0.0 - 0.8
65	70	129-130	139-140	y	0 - 255	0 - 65,535	0.0 - 0.8
Pixel 15	Pixel 16	Pixel 15	Pixel 16				
71	76	141-142	151-152	Master Intensity	0 - 255	0 - 65,535	0% - 100%
72	77	143-144	153-154	CCT	0 - 255	0 - 65,535	2000K - 10000K
73	78	145-146	155-156	Green Adjust	0 - 9 10 - 255	0 - 9 10 - 65,535	Neutral (0) Full magenta ~ Full green (-1.0 ~ +1.0)
74	79	147-148	157-158	x	0 - 255	0 - 65,535	0.0 - 0.8
75	80	149-150	159-160	y	0 - 255	0 - 65,535	0.0 - 0.8
81	161	Reserved		TBD			
82	162	Fan Setting		0 - 9 10 - 69 70 - 129 130 - 189 190 - 255	Use current setting in fixture Silent (Fan speed fixed) Auto (Fan speed variable) Fan full speed (Fan speed fixed) Fan off (Fan is off)		
83	163	Dimming Setting		0 - 9 10 - 99 100 - 255	Use current setting in fixture Sharp dimming Smooth dimming		
84	164	Strobe Frequency		0 - 9 10 - 255	Strobe off 1Hz - 25Hz		

Mode 114 (8-bit) / Mode 118 (16-bit) : PXL16 EZ CCT

8-bit DMX		16-bit DMX		Function	8-bit/16-bit Value		Range
Pixel 1	Pixel 2	Pixel 1	Pixel 2				
1	4	1-2	7-8	Master Intensity	0 - 255	0 - 65,535	0% - 100%
2	5	3-4	9-10	CCT	0 - 255	0 - 65,535	2000K - 10000K
3	6	5-6	11-12	Green Adjust	0 - 9 10 - 255	0 - 9 10 - 65,535	Neutral (0) Full magenta ~ Full green (-1.0 ~ +1.0)
Pixel 3	Pixel 4	Pixel 3	Pixel 4				
7	10	13-14	19-20	Master Intensity	0 - 255	0 - 65,535	0% - 100%
8	11	15-16	21-22	CCT	0 - 255	0 - 65,535	2000K - 10000K
9	12	17-18	23-24	Green Adjust	0 - 9 10 - 255	0 - 9 10 - 65,535	Neutral (0) Full magenta ~ Full green (-1.0 ~ +1.0)
Pixel 5	Pixel 6	Pixel 5	Pixel 6				
13	16	25-26	31-32	Master Intensity	0 - 255	0 - 65,535	0% - 100%
14	17	27-28	33-34	CCT	0 - 255	0 - 65,535	2000K - 10000K
15	18	29-30	35-36	Green Adjust	0 - 9 10 - 255	0 - 9 10 - 65,535	Neutral (0) Full magenta ~ Full green (-1.0 ~ +1.0)
Pixel 7	Pixel 8	Pixel 7	Pixel 8				
19	22	37-38	43-44	Master Intensity	0 - 255	0 - 65,535	0% - 100%
20	23	39-40	45-46	CCT	0 - 255	0 - 65,535	2000K - 10000K
21	24	41-42	47-48	Green Adjust	0 - 9 10 - 255	0 - 9 10 - 65,535	Neutral (0) Full magenta ~ Full green (-1.0 ~ +1.0)
Pixel 9	Pixel 10	Pixel 9	Pixel 10				
25	28	49-50	55-56	Master Intensity	0 - 255	0 - 65,535	0% - 100%
26	29	51-52	57-58	CCT	0 - 255	0 - 65,535	2000K - 10000K
27	30	53-54	59-60	Green Adjust	0 - 9 10 - 255	0 - 9 10 - 65,535	Neutral (0) Full magenta ~ Full green (-1.0 ~ +1.0)
Pixel 11	Pixel 12	Pixel 11	Pixel 12				
31	34	61-62	67-68	Master Intensity	0 - 255	0 - 65,535	0% - 100%
32	35	63-64	69-70	CCT	0 - 255	0 - 65,535	2000K - 10000K
33	36	65-66	71-72	Green Adjust	0 - 9 10 - 255	0 - 9 10 - 65,535	Neutral (0) Full magenta ~ Full green (-1.0 ~ +1.0)
Pixel 13	Pixel 14	Pixel 13	Pixel 14				
37	40	73-74	79-80	Master Intensity	0 - 255	0 - 65,535	0% - 100%
38	41	75-76	81-82	CCT	0 - 255	0 - 65,535	2000K - 10000K
39	42	77-78	83-84	Green Adjust	0 - 9 10 - 255	0 - 9 10 - 65,535	Neutral (0) Full magenta ~ Full green (-1.0 ~ +1.0)
Pixel 15	Pixel 16	Pixel 15	Pixel 16				
43	46	85-86	91-92	Master Intensity	0 - 255	0 - 65,535	0% - 100%
44	47	87-88	93-94	CCT	0 - 255	0 - 65,535	2000K - 10000K
45	48	89-90	95-96	Green Adjust	0 - 9 10 - 255	0 - 9 10 - 65,535	Neutral (0) Full magenta ~ Full green (-1.0 ~ +1.0)

Mode 115 (8-bit) / Mode 119 (16-bit) : PXL16 EZ HSI

8-bit DMX		16-bit DMX		Function	8-bit/16-bit Value		Range
Pixel 1	Pixel 2	Pixel 1	Pixel 2				
1	4	1-2	7-8	Master Intensity	0 - 255	0 - 65,535	0% - 100%
2	5	3-4	9-10	Hue	0 - 255	0 - 65,535	0° - 360°
3	6	5-6	11-12	Saturation	0 - 255	0 - 65,535	0% - 100%
Pixel 3	Pixel 4	Pixel 3	Pixel 4				
7	10	13-14	19-20	Master Intensity	0 - 255	0 - 65,535	0% - 100%
8	11	15-16	21-22	Hue	0 - 255	0 - 65,535	0° - 360°
9	12	17-18	23-24	Saturation	0 - 255	0 - 65,535	0% - 100%
Pixel 5	Pixel 6	Pixel 5	Pixel 6				
13	16	25-26	31-32	Master Intensity	0 - 255	0 - 65,535	0% - 100%
14	17	27-28	33-34	Hue	0 - 255	0 - 65,535	0° - 360°
15	18	29-30	35-36	Saturation	0 - 255	0 - 65,535	0% - 100%
Pixel 7	Pixel 8	Pixel 7	Pixel 8				
19	22	37-38	43-44	Master Intensity	0 - 255	0 - 65,535	0% - 100%
20	23	39-40	45-46	Hue	0 - 255	0 - 65,535	0° - 360°
21	24	41-42	47-48	Saturation	0 - 255	0 - 65,535	0% - 100%
Pixel 9	Pixel 10	Pixel 9	Pixel 10				
25	28	49-50	55-56	Master Intensity	0 - 255	0 - 65,535	0% - 100%
26	29	51-52	57-58	Hue	0 - 255	0 - 65,535	0° - 360°
27	30	53-54	59-60	Saturation	0 - 255	0 - 65,535	0% - 100%
Pixel 11	Pixel 12	Pixel 11	Pixel 12				
31	34	61-62	67-68	Master Intensity	0 - 255	0 - 65,535	0% - 100%
32	35	63-64	69-70	Hue	0 - 255	0 - 65,535	0° - 360°
33	36	65-66	71-72	Saturation	0 - 255	0 - 65,535	0% - 100%
Pixel 13	Pixel 14	Pixel 13	Pixel 14				
37	40	73-74	79-80	Master Intensity	0 - 255	0 - 65,535	0% - 100%
38	41	75-76	81-82	Hue	0 - 255	0 - 65,535	0° - 360°
39	42	77-78	83-84	Saturation	0 - 255	0 - 65,535	0% - 100%
Pixel 15	Pixel 16	Pixel 15	Pixel 16				
43	46	85-86	91-92	Master Intensity	0 - 255	0 - 65,535	0% - 100%
44	47	87-88	93-94	Hue	0 - 255	0 - 65,535	0° - 360°
45	48	89-90	95-96	Saturation	0 - 255	0 - 65,535	0% - 100%

Mode 116 (8-bit) / Mode 120 (16-bit) : PXL16 EZ RGBW

8-bit DMX		16-bit DMX		Function	8-bit/16-bit Value		Range
Pixel 1	Pixel 2	Pixel 1	Pixel 2				
1	6	1-2	11-12	Master Intensity	0 - 255	0 - 65,535	0% - 100%
2	7	3-4	13-14	Intensity Red	0 - 255	0 - 65,535	0% - 100%
3	8	5-6	15-16	Intensity Green	0 - 255	0 - 65,535	0% - 100%
4	9	7-8	17-18	Intensity Blue	0 - 255	0 - 65,535	0% - 100%
5	10	9-10	19-20	Intensity White	0 - 255	0 - 65,535	0% - 100%
Pixel 3	Pixel 4	Pixel 3	Pixel 4				
11	16	21-22	31-32	Master Intensity	0 - 255	0 - 65,535	0% - 100%
12	17	23-24	33-34	Intensity Red	0 - 255	0 - 65,535	0% - 100%
13	18	25-26	35-36	Intensity Green	0 - 255	0 - 65,535	0% - 100%
14	19	27-28	37-38	Intensity Blue	0 - 255	0 - 65,535	0% - 100%
15	20	29-30	39-40	Intensity White	0 - 255	0 - 65,535	0% - 100%
Pixel 5	Pixel 6	Pixel 5	Pixel 6				
21	26	41-42	51-52	Master Intensity	0 - 255	0 - 65,535	0% - 100%
22	27	43-44	53-54	Intensity Red	0 - 255	0 - 65,535	0% - 100%
23	28	45-46	55-56	Intensity Green	0 - 255	0 - 65,535	0% - 100%
24	29	47-48	57-58	Intensity Blue	0 - 255	0 - 65,535	0% - 100%
25	30	49-50	59-60	Intensity White	0 - 255	0 - 65,535	0% - 100%
Pixel 7	Pixel 8	Pixel 7	Pixel 8				
31	36	61-62	71-72	Master Intensity	0 - 255	0 - 65,535	0% - 100%
32	37	63-64	73-74	Intensity Red	0 - 255	0 - 65,535	0% - 100%
33	38	65-66	75-76	Intensity Green	0 - 255	0 - 65,535	0% - 100%
34	39	67-68	77-78	Intensity Blue	0 - 255	0 - 65,535	0% - 100%
35	40	69-70	79-80	Intensity White	0 - 255	0 - 65,535	0% - 100%
Pixel 9	Pixel 10	Pixel 9	Pixel 10				
41	46	81-82	91-92	Master Intensity	0 - 255	0 - 65,535	0% - 100%
42	47	83-84	93-94	Intensity Red	0 - 255	0 - 65,535	0% - 100%
43	48	85-86	95-96	Intensity Green	0 - 255	0 - 65,535	0% - 100%
44	49	87-88	97-98	Intensity Blue	0 - 255	0 - 65,535	0% - 100%
45	50	89-90	99-100	Intensity White	0 - 255	0 - 65,535	0% - 100%

Mode 116 (8-bit) / Mode 120 (16-bit) : PXL16 EZ RGBW

8-bit DMX		16-bit DMX		Function	8-bit/16-bit Value		Range
Pixel 11	Pixel 12	Pixel 11	Pixel 12				
51	56	101-102	111-112	Master Intensity	0 - 255	0 - 65,535	0% - 100%
52	57	103-104	113-114	Intensity Red	0 - 255	0 - 65,535	0% - 100%
53	58	105-106	115-116	Intensity Green	0 - 255	0 - 65,535	0% - 100%
54	59	107-108	117-118	Intensity Blue	0 - 255	0 - 65,535	0% - 100%
55	60	109-110	119-120	Intensity White	0 - 255	0 - 65,535	0% - 100%
Pixel 13	Pixel 14	Pixel 13	Pixel 14				
61	66	121-122	131-132	Master Intensity	0 - 255	0 - 65,535	0% - 100%
62	67	123-124	133-134	Intensity Red	0 - 255	0 - 65,535	0% - 100%
63	68	125-126	135-136	Intensity Green	0 - 255	0 - 65,535	0% - 100%
64	69	127-128	137-138	Intensity Blue	0 - 255	0 - 65,535	0% - 100%
65	70	129-130	139-140	Intensity White	0 - 255	0 - 65,535	0% - 100%
Pixel 15	Pixel 16	Pixel 15	Pixel 16				
71	76	141-142	151-152	Master Intensity	0 - 255	0 - 65,535	0% - 100%
72	77	143-144	153-154	Intensity Red	0 - 255	0 - 65,535	0% - 100%
73	78	145-146	155-156	Intensity Green	0 - 255	0 - 65,535	0% - 100%
74	79	147-148	157-158	Intensity Blue	0 - 255	0 - 65,535	0% - 100%
75	80	149-150	159-160	Intensity White	0 - 255	0 - 65,535	0% - 100%

Mode 117 (8-bit) / Mode 121 (16-bit) : PXL16 EZ RGB

8-bit DMX		16-bit DMX		Function	8-bit/16-bit Value		Range
Pixel 1	Pixel 2	Pixel 1	Pixel 2				
1	4	1-2	7-8	Intensity Red	0 - 255	0 - 65,535	0% - 100%
2	5	3-4	9-10	Intensity Green	0 - 255	0 - 65,535	0% - 100%
3	6	5-6	11-12	Intensity Blue	0 - 255	0 - 65,535	0% - 100%
Pixel 3	Pixel 4	Pixel 3	Pixel 4				
7	10	13-14	19-20	Intensity Red	0 - 255	0 - 65,535	0% - 100%
8	11	15-16	21-22	Intensity Green	0 - 255	0 - 65,535	0% - 100%
9	12	17-18	23-24	Intensity Blue	0 - 255	0 - 65,535	0% - 100%
Pixel 5	Pixel 6	Pixel 5	Pixel 6				
13	16	25-26	31-32	Intensity Red	0 - 255	0 - 65,535	0% - 100%
14	17	27-28	33-34	Intensity Green	0 - 255	0 - 65,535	0% - 100%
15	18	29-30	35-36	Intensity Blue	0 - 255	0 - 65,535	0% - 100%
Pixel 7	Pixel 8	Pixel 7	Pixel 8				
19	22	37-38	43-44	Intensity Red	0 - 255	0 - 65,535	0% - 100%
20	23	39-40	45-46	Intensity Green	0 - 255	0 - 65,535	0% - 100%
21	24	41-42	47-48	Intensity Blue	0 - 255	0 - 65,535	0% - 100%
Pixel 9	Pixel 10	Pixel 9	Pixel 10				
25	28	49-50	55-56	Intensity Red	0 - 255	0 - 65,535	0% - 100%
26	29	51-52	57-58	Intensity Green	0 - 255	0 - 65,535	0% - 100%
27	30	53-54	59-60	Intensity Blue	0 - 255	0 - 65,535	0% - 100%
Pixel 11	Pixel 12	Pixel 11	Pixel 12				
31	34	61-62	67-68	Intensity Red	0 - 255	0 - 65,535	0% - 100%
32	35	63-64	69-70	Intensity Green	0 - 255	0 - 65,535	0% - 100%
33	36	65-66	71-72	Intensity Blue	0 - 255	0 - 65,535	0% - 100%
Pixel 13	Pixel 14	Pixel 13	Pixel 14				
37	40	73-74	79-80	Intensity Red	0 - 255	0 - 65,535	0% - 100%
38	41	75-76	81-82	Intensity Green	0 - 255	0 - 65,535	0% - 100%
39	42	77-78	83-84	Intensity Blue	0 - 255	0 - 65,535	0% - 100%
Pixel 15	Pixel 16	Pixel 15	Pixel 16				
43	46	85-86	91-92	Intensity Red	0 - 255	0 - 65,535	0% - 100%
44	47	87-88	93-94	Intensity Green	0 - 255	0 - 65,535	0% - 100%
45	48	89-90	95-96	Intensity Blue	0 - 255	0 - 65,535	0% - 100%

RDM Commands

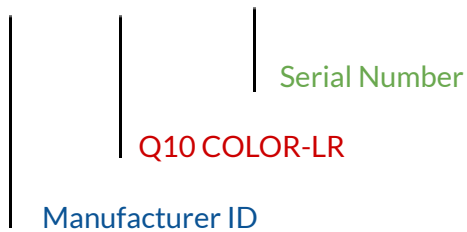
Table of Contents	Page
RDM Identification	<u>61</u>
DMX Personality Identification	<u>62</u>
Network Management	<u>65</u>
Status Collection	<u>65</u>
RDM Information	<u>65</u>
Product Information	<u>65</u>
DMX512 Setu	<u>66</u>
Dimmer Settings RDM E1.37 version (not supported yet)	<u>66</u>
Power/Lamp Settings	<u>66</u>
Control	<u>66</u>
Manufacturer Command	<u>66</u>

RDM Identification

Manufacturer ID	Device Model ID	Device Label Device	Model Name
6124	30	FLXP3CLR	P3 COLOR
	31	FLXQ5CLR	Q5 COLOR
	32	FLXQ8CLR	Q8 COLOR
	33	FLXMXCLR	Matrix COLOR
	35	FLXQ10CLRLR	Q10 COLOR-LR
	36	FLXQUADCLR	QUAD COLOR
	37	FLXQ8CLRLR	Q8 COLOR-LR
	39	FLXMOTOQUADCLR	MOTOQUAD
	3A	FLXG3CLR	G3 COLOR
	3B	FLXQ3CLRLR	Q3 COLOR-LR
	3F	FLXRPU	RPU
	40	FLXMOTOK40	MOTOK40
	41	FLXQ6CLR	Q6 COLOR
	42	FLXG6CLR	G6 COLOR
	43	FLXMOTOQ3	MOTOQ3
44	FLXK10CLR	K10 COLOR	

UID Example

612435010002



DMX Personality Identification

Personality Description	Hex			Description [Decimal Data: Mode Description (Footprint)]
	P3/Q5/Q8/Q10/Q3 /G3/G9/Q6/G6	Matrix\ K10	Quad	
1	0x01	0x01	0x01	1: CCT 8-bit (Footprint 6)
2	0x02	0x02	0x02	2: HSI 8-bit (Footprint 6)
3	0x03	0x03	0x03	3: RGBW 8-bit (Footprint 8)
4	0x04	0x04	0x04	4: CCTHSI 8-bit (Footprint 9)
5	0x05	0x05	0x05	5: CCTRGBW 8-bit (Footprint 11)
6	0x06	0x06	0x06	6: CIExy 8-bit (Footprint 6)
7	0x07	0x07	0x07	7: GEL 8-bit (Footprint 6)
8	0x08	0x08	0x08	9: CCT 16-bit (Footprint 10)
9	0x09	0x09	0x09	10: HSI 16-bit (Footprint 10)
10	0x0A	0x0A	0x0A	11: RGBW 16-bit (Footprint 14)
11	0x0B	0x0B	0x0B	12: CCTHSI 16-bit (Footprint 16)
12	0x0C	0x0C	0x0C	13: CCTRGBW 16-bit (Footprint 20)
13	0x0D	0x0D	0x0D	14: CIExy 16-bit (Footprint 10)
14	0x0E	0x0E	0x0E	15: GEL 16-bit (Footprint 8)
15	-	0x0F	0x0F	17: PXL4 CCTHSI 8-bit (Footprint 27)
16	-	0x010	0x010	18: PXL4 CCTRGBW 8-bit (Footprint 35)
17	-	0x011	0x011	19: PXL4 CIExy 8-bit (Footprint 15)
18	-	0x012	0x012	20: PXL4 CCTHSI 16-bit (Footprint 52)
19	-	0x013	0x013	21: PXL4 CCTRGBW 16-bit (Footprint 68)
20	-	0x014	0x014	22: PXL4 CIExy 16-bit (Footprint 28)
21	0x0F	0x015	0x015	40: RGB 8-bit (Footprint 6)
22	0x010	0x016	0x016	41: CCTxy 8-bit (Footprint 9)
23	0x011	0x017	0x017	42: ICTHS 8-bit (Footprint 9)
24	0x012	0x018	0x018	43: ICTRGBW 8-bit (Footprint 11)
25	0x013	0x019	0x019	44: ICTxy 8-bit (Footprint 9)
26	0x014	0x01A	0x01A	45: RGB 16-bit (Footprint 9)
27	0x015	0x01B	0x01B	46: CCTxy 16-bit (Footprint 15)
28	0x016	0x01C	0x01C	47: ICTHS 16-bit (Footprint 14)
29	0x017	0x01D	0x01D	48: ICTRGBW 16-bit (Footprint 18)
30	0x018	0x01E	0x01E	49: ICTxy 16-bit (Footprint 14)
31	0x019	0x01F	0x01F	50: EZ CCT 8-bit (Footprint 3)
32	0x01A	0x020	0x020	51: EZ HSI 8-bit (Footprint 3)
33	0x01B	0x021	0x021	52: EZ RGBW 8-bit (Footprint 5)

DMX Personality Identification

Personality Description	Hex			Description [Decimal Data: Mode Description (Footprint)]
	P3/Q5/Q8/Q10/Q3 /G3/G9/Q6/G6	Matrix\ K10	Quad	
34	0x01C	0x022	0x022	53: EZ CCTHSI 8-bit (Footprint 6)
35	0x01D	0x023	0x023	54: EZ CCTRGBW 8-bit (Footprint 8)
36	0x01E	0x024	0x024	55: EZ CIExy 8-bit (Footprint 3)
37	0x01F	0x025	0x025	56: EZ RGB 8-bit (Footprint 3)
38	0x020	0x026	0x026	57: EZ CCTxy 8-bit (Footprint 6)
39	0x021	0x027	0x027	58: EZ ICTHS 8-bit (Footprint 5)
40	0x022	0x028	0x028	59: EZ ICTRGBW 8-bit (Footprint 7)
41	0x023	0x029	0x029	60: EZ ICTxy 8-bit (Footprint 5)
42	0x024	0x02A	0x02A	61: EZ 3200K 8-bit (Footprint 1)
43	0x025	0x02B	0x02B	62: EZ 5600K 8-bit (Footprint 1)
44	0x026	0x02C	0x02C	63: EZ CCT 16-bit (Footprint 6)
45	0x027	0x02D	0x02D	64: EZ HSI 16-bit (Footprint 6)
46	0x028	0x02E	0x02E	65: EZ RGBW 16-bit (Footprint 10)
47	0x029	0x02F	0x02F	66: EZ CCTHSI 16-bit (Footprint 12)
48	0x02A	0x030	0x030	67: EZ CCTRGBW 16-bit (Footprint 16)
49	0x02B	0x031	0x031	68: EZ CIExy 16-bit (Footprint 6)
50	0x02C	0x032	0x032	69: EZ RGB 16-bit (Footprint 6)
51	0x02D	0x033	0x033	70: EZ CCTxy 16-bit (Footprint 12)
52	0x02E	0x034	0x034	71: EZ ICTHS 16-bit (Footprint 10)
53	0x02F	0x035	0x035	72: EZ ICTRGBW 16-bit (Footprint 14)
54	0x030	0x036	0x036	73: EZ ICTxy 16-bit (Footprint 10)
55	0x031	0x037	0x037	61: EZ 3200K 8-bit (Footprint 1)
56	0x032	0x038	0x038	75: EZ 5600K 16-bit (Footprint 2)
57	0x033	0x039	0x039	76: ALL MODES 8-bit (Footprint 12)
58	0x034	0x03A	0x03A	77: ALL MODES 16-bit (Footprint 20)
59	-	0x03B	0x03B	80: PXL4 CCTxy 8-bit (Footprint 27)
60	-	0x03C	0x03C	81: PXL4 ICTHS 8-bit (Footprint 24)
61	-	0x03D	0x03D	82: PXL4 ICTRGBW 8-bit (Footprint 32)
62	-	0x03E	0x03E	83: PXL4 ICTxy 8-bit (Footprint 24)
63	-	0x03F	0x03F	84: PXL4 CCTxy 16-bit (Footprint 51)
64	-	0x040	0x040	85: PXL4 ICTHS 16-bit (Footprint 44)
65	-	0x041	0x041	86: PXL4 ICTRGBW 16-bit (Footprint 60)
66	-	0x042	0x042	87: PXL4 ICTxy 16-bit (Footprint 44)

DMX Personality Identification

Personality Description	Hex			Description [Decimal Data: Mode Description (Footprint)]
	P3/Q5/Q8/Q10/Q3 /G3/G9/Q6/G6	Matrix\ K10	Quad	
67	-	0x043	0x043	88: PXL4 EZ CCT 8-bit (Footprint 12)
68	-	0x044	0x044	89: PXL4 EZ HSI 8-bit (Footprint 12)
69	-	0x045	0x045	90: PXL4 EZ RGBW 8-bit (Footprint 20)
70	-	0x046	0x046	91: PXL4 EZ RGB 8-bit (Footprint 12)
71	-	0x047	0x047	92: PXL4 EZ CCT 16-bit (Footprint 24)
72	-	0x048	0x048	93: PXL4 EZ HSI 16-bit (Footprint 24)
73	-	0x049	0x049	94: PXL4 EZ RGBW 16-bit (Footprint 40)
74	-	0x04A	0x04A	95: PXL4 EZ RGB 16-bit (Footprint 24)
75	-	-	0x04B	100: PXL16 CCTHSI 8-bit (Footprint 99)
76	-	-	0x04C	101: PXL16 CCTRGBW 8-bit (Footprint 131)
77	-	-	0x04D	102: PXL16 CIExy 8-bit (Footprint 51)
78	-	-	0x04E	103: PXL16 CCTHSI 16-bit (Footprint 195)
79	-	-	0x04F	104: PXL16 CCTRGBW 16-bit (Footprint 259)
80	-	-	0x050	105: PXL16 CIExy 16-bit (Footprint 99)
81	-	-	0x051	106: PXL16 CCTxy 8-bit (Footprint 99)
82	-	-	0x052	107: PXL16 ICTHS 8-bit (Footprint 84)
83	-	-	0x053	108: PXL16 ICTRGBW 8-bit (Footprint 116)
84	-	-	0x054	109: PXL16 ICTxy 8-bit (Footprint 84)
85	-	-	0x055	110: PXL16 CCTxy 16-bit (Footprint 195)
86	-	-	0x056	111: PXL16 ICTHS 16-bit (Footprint 164)
87	-	-	0x057	112: PXL16 ICTRGBW 16-bit (Footprint 228)
88	-	-	0x058	113: PXL16 ICTxy 16-bit (Footprint 164)
89	-	-	0x059	114: PXL16 EZ CCT 8-bit (Footprint 48)
90	-	-	0x05A	115: PXL16 EZ HSI 8-bit (Footprint 48)
91	-	-	0x05B	116: PXL16 EZ RGBW 8-bit (Footprint 80)
92	-	-	0x05C	117: PXL16 EZ RGB 8-bit (Footprint 48)
93	-	-	0x05D	118: PXL16 EZ CCT 16-bit (Footprint 96)
94	-	-	0x05E	119: PXL16 EZ HSI 16-bit (Footprint 96)
95	-	-	0x05F	120: PXL16 EZ RGBW 16-bit (Footprint 160)
96	-	-	0x060	121: PXL16 EZ RGB 16-bit (Footprint 96)

Network Management

Command	PID	Description
DISC UNIQUE BRANCH	0x0001	Devices respond to discovery messages.
DISC MUTE	0x0002	Mute the device.
DISC UNMUTE	0x0003	Unmute the device.

Status Collection (For Art-Net)

Command	PID	Description
QUEUED MESSAGE	0x0020	The QUEUED_MESSAGE parameter shall be used to retrieve a message from the responder's message queue.

RDM Information

Command	PID	Description
SUPPORTED PARAMETERS	0x0050	Support required only if supporting parameters beyond the minimum required set.
PARAMETER DESCRIPTION	0x0051	Retrieves a list of all manufacturer commands (\geq 0x8000).

Product Information

Command	PID	Description
DEVICE INFO	0x0060	This parameter is used to retrieve a variety of information about the device that is normally required by a controller
DEVICE MODEL DESCRIPTION	0x0080	This parameter provides a text description of up to 32 characters for the device model type.
MANUFACTURER LABEL	0x0081	This parameter provides an ASCII text response of up to 32 characters with the Manufacturer name for the device. The Manufacturer name must be consistent between all products manufactured within an ESTA Manufacturer ID.
DEVICE LABEL	0x0082	This parameter provides a means of setting a descriptive label for each device.
SOFTWARE VERSION LABEL	0x00C0	This parameter is used to get a descriptive ASCII text label for the device's operating software version.

DMX512 Setup

Command	PID	Description
DMX PERSONALITY	0x00E0	This parameter is used to set the responder's DMX512 Personality.
DMX PERSONALITY DESCRIPTION	0x00E1	This parameter is used to get a descriptive ASCII text label for a given DMX512 Personality.
DMX START ADDRESS	0x00F0	This parameter is used to set or get the DMX512 start address.

Dimmer Settings (not yet supported) RDM ANSI E1.37 version

Command	PID	Description
CURVE	0x0343	Retrieve or set a dimmer curve. 1 : Linear 2 : Gamma
CURVE DESCRIPTION	0x0344	This parameter is used to get a descriptive ASCII text label for a given curve.

Power/Lamp Settings

Command	PID	Description
DEVICE HOURS	0x0400	This parameter is used to retrieve or set the number of hours of operation the device has been in use.
LAMP HOURS	0x0401	This parameter is used to retrieve the number of lamp hours or to set the counter in the device to a specific starting value.

Control

Command	PID	Description
IDENTIFY DEVICE	0x1000	This parameter is used for the user to physically identify the device represented by the UID.

Manufacturer Command (not yet supported)

Command	PID	Description
WHITE POINT	0x8001	GET/SET Range 2000 ~ 10000 Kelvin Applies to HSI, RGBW and RGB modes
FIILEX_FAN	0x8002	GET/SET 0:Silent, 1:Auto, 2:Full speed, 3:OFF
FIILEX_ERROR	0x8003	GET Fiilex error code
FIILEX_CIEXY	0x8004	GET Format: (X, Y) Range: X: 0~0.8 Y: 0~0.8