

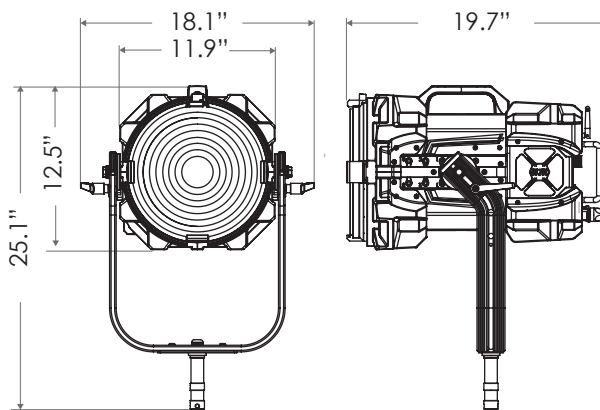
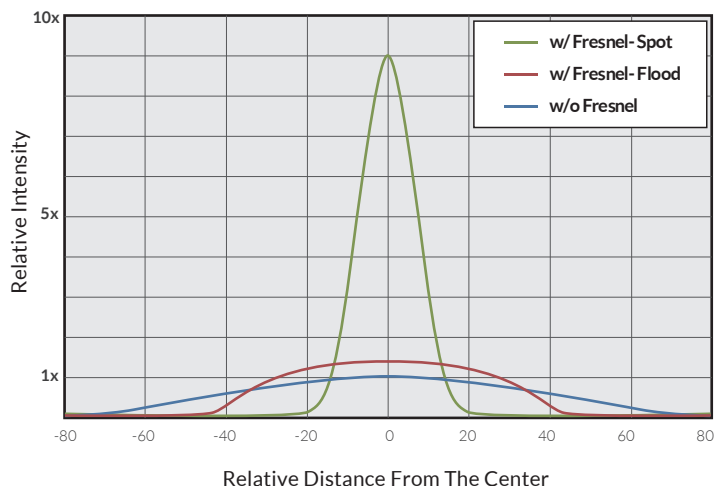
The **Q10 Color-LR** is a 900W 10" LED Fresnel that generates high-quality full-color light output. This fixture uses the latest iteration of Fiilex's Dense Matrix LED technology to deliver color quality and optical versatility that are superior to previous generations of LED fresnels. With its wide spot/flood range, smooth dimming to 0%, no flicker, and high CRI, the Q10 Color combines the extensive feature set of top-tier RGBW LEDs with the performance of a tungsten fresnel.



FEATURES

- High-CRI white light output (2000-10000K)
- 8 and 16-bit color modes: CCTRGBW, CCTHSI, CIExy, etc.
- Unmatched spot/flood range of 11-70°
- Smooth and Sharp dimming modes
- Removable fresnel for wider throw / softbox compatibility
- DMX-controllable fan modes: Full, Variable, Silent, Off
- 8-leaf barndoor cuts clean with no color splitting
- Height adjustable yoke
- IP-X5 Rating (water resistant)
- Wireless control via integrated LumenRadio

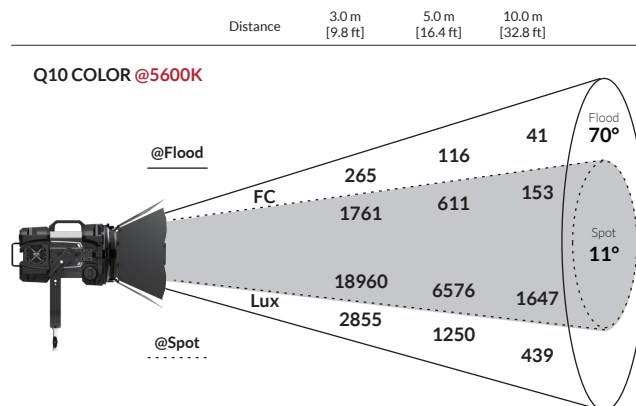
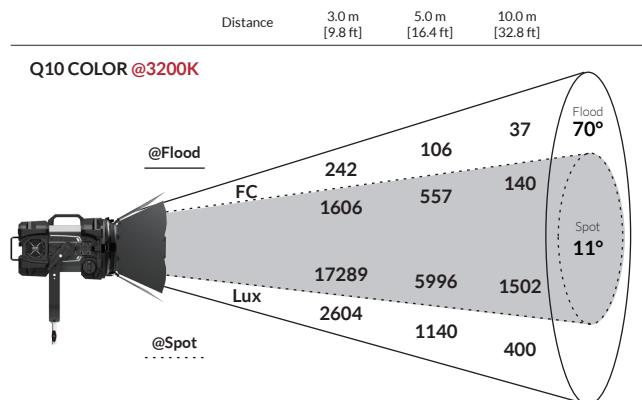
BEAM PROFILE



SPECIFICATIONS

Fresnel Size	10"
Beam Angle	11°-70° with Fresnel (77° without Fresnel)
CCT Range	2000-10000K continuous tuning + magenta/green shift
CRI / TLCI	95 / 90 typical
Control Modes	CCT, HSI, RGBW, Gels, Effects, CCTRGBW, CCTHSI, CIExy, ICTHS, and more
Dimming	100 - 0% flicker free
Dimming Modes	Smooth, Sharp
Light Engine	1x 850W DiCon Dense Matrix LED
Power Consumption	900W max AC 850W max DC
BTUs/hour	3071 (BTUs/hour) max
DC Input	48V DC (via powerCON 32 A)
AC Input	100 - 240V AC, 50~60Hz (via powerCON TRUE1)
DMX / RDM Port	XLR-5
Wireless Control	Integrated LumenRadio
Ethernet	sACN, ArtNet (via etherCON)
USB Power Output	5V/1A (via USB-A)
Weight	44 lbs / 20kg
Size (L x W x H)	19.7" x 18.1" x 25.1" / 50.1cm x 45.9cm x 63.7cm
Mount Type	Combo (baby stud female / junior stud male)
IP Rating	IP-X5 (water resistant)
Thermal Design	Aluminum extrusion cooling system w/ fan
Operating Temperature	32 - 104°F / 0 - 40° C

PHOTOMETRIC DATA



ITEMS INCLUDED IN THE STANDARD PACKAGE



Q10 COLOR-LR Fixture

Q10 Barndoors

900W AC Cable

OPTIONAL ACCESSORIES



10" Speed Ring

Large Softbox

OCTA5 Softbox

03212022A