

User Manual

GUTEK

TORTOISE SERIES

T-230 *Protector Case*

Guangdong NanGuang Photo&Video Systems Co., Ltd.
WWW.GUTEK.COM



Version: P00090-SM-002_C01

Certification

IP67 RoHS

Made in China

☎ 0754-85751187

☎ 0754-85300887

✉ info@gutek.com

📍 Dongli Section, Highway 324, Chenghai, Shantou City, Guangdong Province, China

GUTEK

NOTICE

1. Please do not load in the protector case exceeding the maximum load capacity.
2. Please do not use the protector case in environments with temperatures of 80 C (176°F) and above.
3. Please contact with the place of purchase for replacement or purchase if the waterproof O-ring seal has corrosive, chapped or sticky problem.

OPTIONAL ACCESSORIES

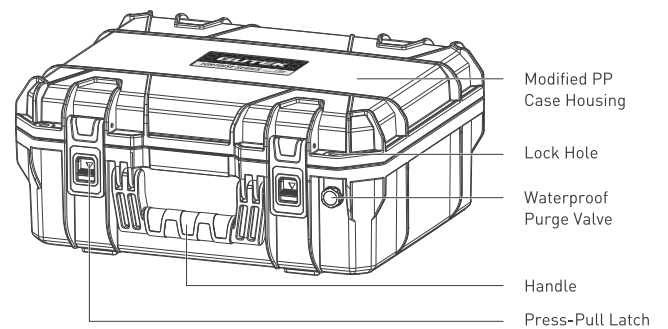
AS-MSL Motion Sensor LED Light for GUTЕК Case

This manual has been compiled according to the rigorous testing by GUTЕК. Product designs are subject to change without prior notice.

TORTOISE SERIES

T-230 Protector Case

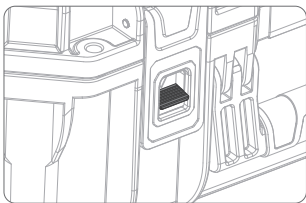
PRODUCT DETAILS



Weight	
Weight Empty	2.77 kg (6.11 lb)
Weight with Foam	3.16 kg (6.97 lb)
Max. Buoyancy	20 kg (44.09 lb)

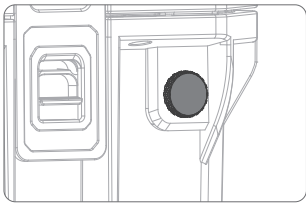
Includes	
T-230 Protector Case	1
Convoluted Lid Foam	1
Padded Divider	3
Bottom Foam	1
Double-sided Tape	1
User Manual	1
Greeting Card	1

STRUCTURE DESCRIPTION



Press-Pull Latch

Ensure reliable closure and prevention of accidental opening.



Waterproof Purge Valve

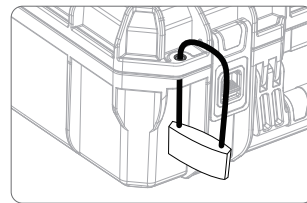
For equalizing air pressure, ensure easiness to open the case in extreme environment.

Color	
Black	
Olive Drab Green	

Material	
Housing	Modified Polypropylene
Waterproof O-ring Seal	Ethylene Propylene Diene Monomer
Foam	Polyurethane
Waterproof Purge Valve	Modified Polypropylene

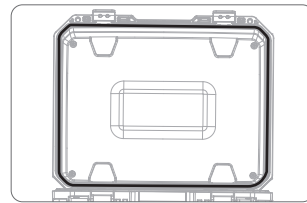
BASIC INFORMATION

Size	
Exterior Size (LxWxD)	450 × 375 × 196 mm (17.7 × 14.8 × 7.7")
Volume	0.033 m ³ (1.17 ft ³)
Interior Size (LxWxD)	417 × 320 × 179 mm (16.4 × 12.6 × 7.0")
Int Volume	23 L (0.81 ft ³)
Lid Depth	50 mm (1.97")
Bottom Depth	129 mm (5.08")
Padlock Hole Diameter	8 mm (0.31")
Max. Load Capacity	40 kg



Lock Hole

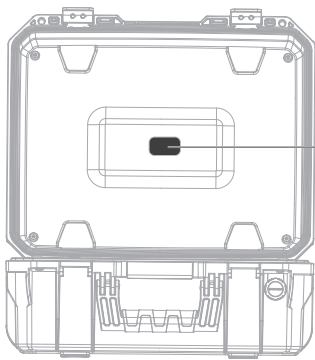
Two lock holes for padlock on the case, for securing contents inside.



Waterproof O-ring Seal

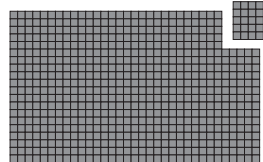
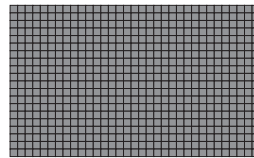
Embedded in the surrounding groove when the case is closed, providing watertight and dustproof function.

USAGE



Double-sided Tape

Stick on the case lid to consolidate the convoluted foam as required.



Padded Divider

Customized shape at will based on the size of devices, for impact resistant.