

The **Matrix Color** is a 320W LED fixture that combines high-fidelity soft-source illumination with a focusable, fresnel-like forward punch. This optical versatility is made possible by Fiilex’s custom Dense Matrix LED technology, which also features smooth dimming to 0%, no flicker, and very high CRI. Two snap-on fresnel accessories are available to narrow the Matrix Color’s standard 100° spread down to 30° or 18°.

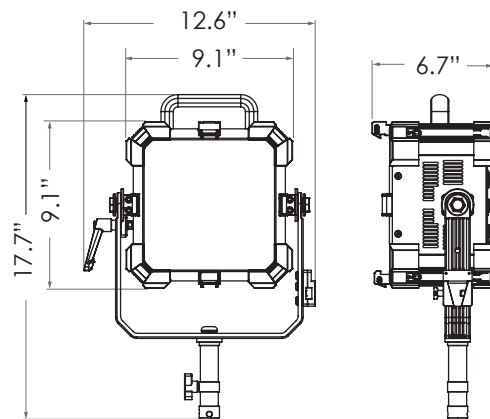
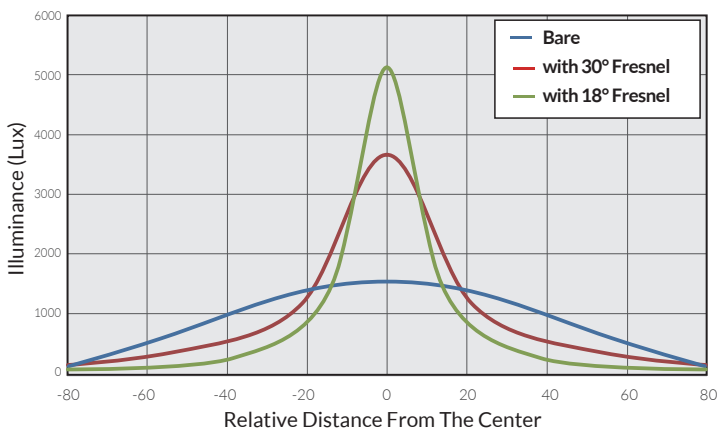
Various color control modes, including CCT, HSI, Gels, and Effects, are accessible via the fixture’s control pad. All modes support 8 and 16 bit DMX.



FEATURES

- 360° RGBW Color Control
- High CRI values at every color temperature
- Extremely durable with ruggedized exterior
- Dims to 0% without flicker or color shift
- Water resistant (IP-X5)
- Lightweight (only 9.9lbs)
- Multiple control modes (CCT, HSI, Gels, Effects, RGBW, CIEx,y, PXL4, ICTHS etc.)
- XLR-3 power port for easy connection to 48V batteries
- Precise color calibration for consistent quality
- Compatible with industry-standard light modifiers
- Accessories for multiple lighting styles (Barndoors and Fresnel Lens)

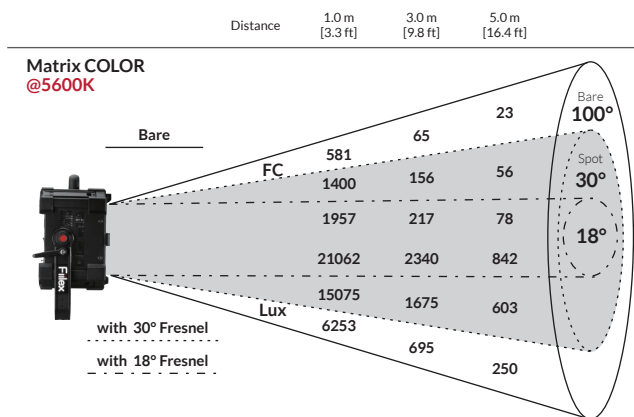
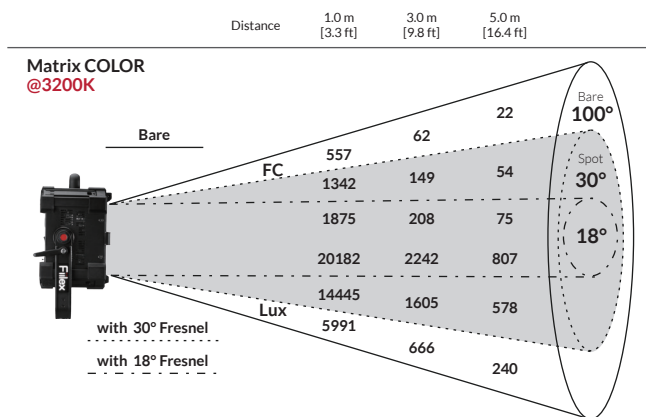
BEAM PROFILE



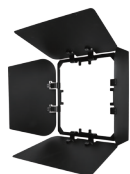
SPECIFICATIONS

Fresnel Diameter	Optional Quad Fresnel Leans (removable)
Beam Angle	100° (30° or 18° with fresnel accessories)
CCT Range	2000-10000K continuous tuning + magenta/green shift
CRI	95 typical
TLCI	90 typical
Control Modes	CCT, HSI, Gels, Effects, RGBW, CIEx,y, PXL4, ICTHS etc.
Dimming	100% - 0% flicker free
Dimming Modes	Smooth, Sharp
Light Engine	(Four) 75W DiCon Dense Matrix LED
Power Consumption	320W max AC 300W max DC
DC Input	48V DC
AC Input	100 - 240V AC, 50 ~ 60Hz
Power Port	XLR-3
DMX Port	XLR-5
Weight	Fixture: 9.9 lbs / 4.5kg (includes yoke) Power adapter: 6.4 lbs/2.9 kg
Size (L x W x H)	6.7" x 12.6" x 17.7" / 17.1cm x 32.1cm x 45.0cm
Mount Type	Baby stud 5/8" female (16mm) and junior stud 1-1/8" male (28mm)
IP Rating	IP-X5 (water-resistant)
Thermal Design	Advanced vapor cooling system (fan cooled)
Operating Temperature	32 - 104°F / 0 - 40°C

PHOTOMETRIC DATA



OPTIONAL ACCESSORIES & KITS



Matrix Barndoor



Matrix Fresnel Lens
, 30 Degrees



Matrix Fresnel Lens
, 18 Degrees



Matrix Speed Ring