

Fiilex

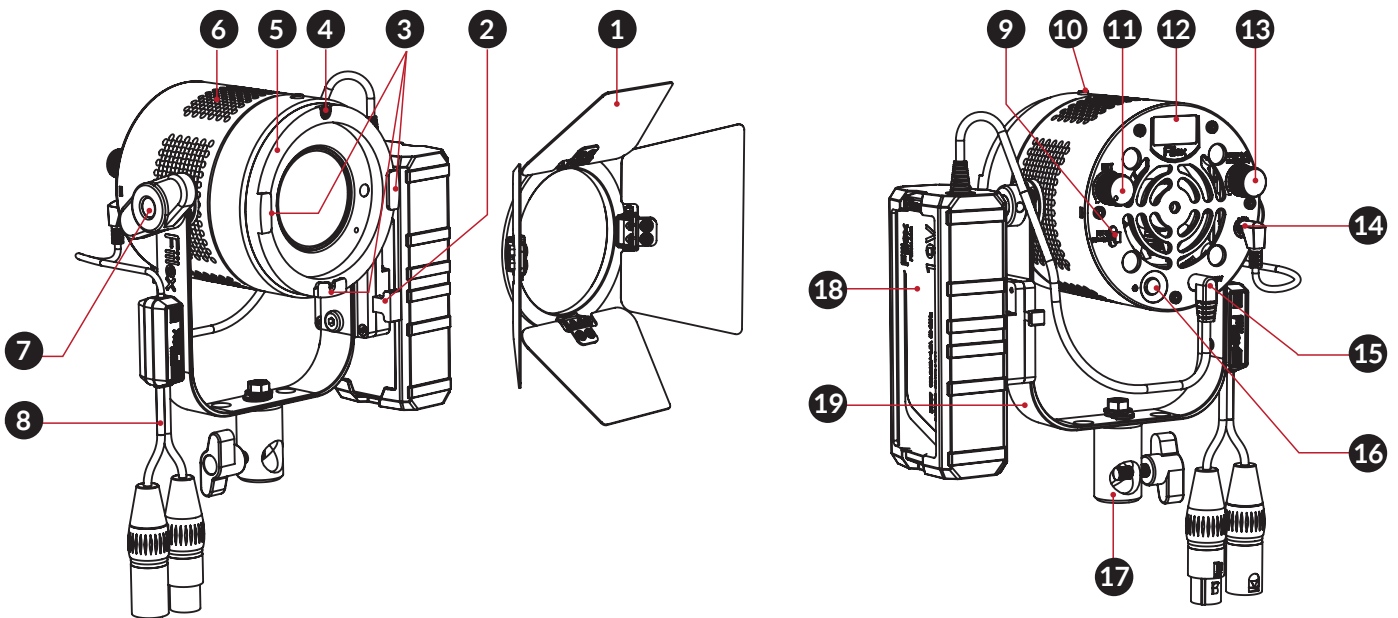
P3 COLOR

User Guide

Safety Instructions

- DO NOT look into the light source. Be cautious of the high-intensity beam.
- DO NOT disassemble P3 Color. This will void the warranty.
- DO NOT install P3 Color in damp or wet locations.
- DO NOT obstruct the fixture's air vents.
- Use safety cable (not included) when rigging P3 Color overhead.
- Only use Fiilex approved power supply and accessories. Failure to do so may damage the fixture.
- Shields, lenses or ultraviolet screens shall be changed if they have become visibly damaged to such an extent that their effectiveness is impaired, for example by cracks or deep scratches.
- The lamp shall be changed if it has become damaged or thermally deformed.
- The luminaire is intended for professional use only.

Parts Diagram



- | | | |
|--------------------|---------------------------------|-------------------------------|
| 1. 4 Leaf Barndoor | 8. DMX Cable | 14. Light Control Output Jack |
| 2. V-Mount | 9. USB Type-C Port | 15. DC Power Input Jack |
| 3. Barndoor Slot | (For updating firmware & 5V/1A) | 16. ON/OFF Button |
| 4. Accessory Lock | 10. Accessory Lock Release | 17. Light Stand Adapter |
| 5. Barndoor Holder | 11. Intensity Control Knob | 18. Power Adapter |
| 6. Side Air Vents | 12. OLED Display | 19. Yoke |
| 7. Yoke Knob | 13. Menu Knob | |

Fixture Operation

• Mode Selection

Use Menu Knob to enter MODES, then navigate through modes and press Menu Knob to select the desired mode. Press the Menu Knob twice to exit the selected Mode and return to the Main Menu.



• Fixture Control

1 Manual / Local :

Use Intensity Control Knob or the Menu Knob to control the parameters.

Press the Menu knob for 3 seconds to lock the screen. Press for 3 seconds again to unlock.



2 DMX / RDM :

Display shows DMX connection status, NO DMX or DMX OK.



Settings

Use Menu Knob to enter and edit SETTINGS. Navigate to the right to access additional settings.



• Info

View current fixture firmware versions and fixture temperature.

