

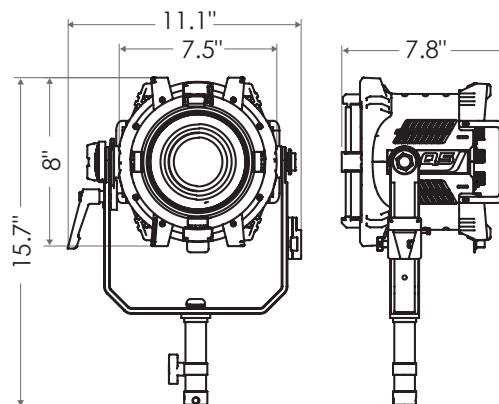
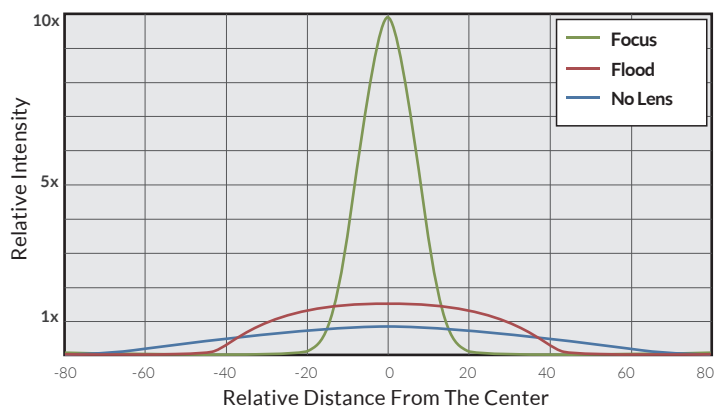
The **Q5 Color** is a 185W 5" LED Fresnel that generates high-quality RGBW light output. This fixture uses the latest iteration of Fiilex's Dense Matrix LED technology to deliver color quality and optical versatility that are superior to previous generations of LED fresnels. With its wide spot/flood range, smooth dimming to 0%, no flicker, and high CRI, the Q5 Color combines the extensive feature set of top-tier RGBW LEDs with the performance of a tungsten fresnel.



## FEATURES

- High-CRI white light output (2000-10000K)
- Additional 8 and 16 bit color modes: RGBW, Effects, HSI, Gel Presets, CCT+RGBW, CCT+HSI, etc.
- 12°-55° spot/flood range with no optical aberrations
- Barndoor cuts clean with no color splitting
- Dims down to 0% without flicker or color shift
- V-mount power supply swaps easily with 26V batteries
- Extremely lightweight ( $\approx 7$  lbs)
- Removable fresnel for wider throw / softbox compatibility
- Smooth and Sharp dimming modes
- Three fan speed modes: Full, Variable, Silent
- IP-X5 Rating (water-resistant)

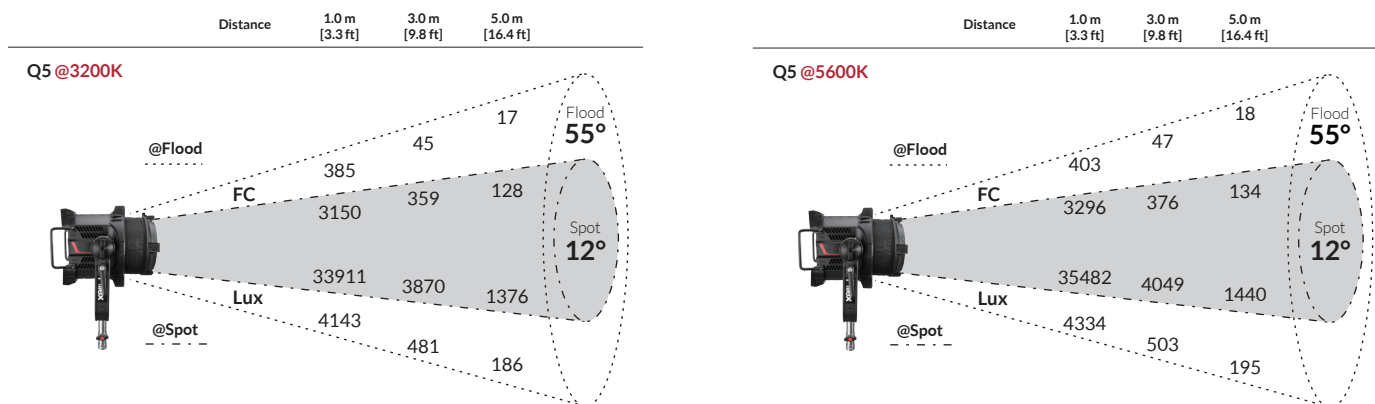
## BEAM PROFILE



### SPECIFICATIONS

Fresnel Diameter	5"
Beam Angle	12°-55° with fresnel (80° without fresnel)
CCT Range	2000-10000K continuous tuning + magenta/green shift
CRI	95 typical
TLCI	90 typical
Control Modes	RGBW, CCT, HSI, Gel Presets, Effects, CCT + RGBW, CCT + HSI, CIE xy
Dimming	100 - 0%
Dimming Modes	Smooth, Sharp
Light Engine	1x 165W DiCon Dense Matrix LED
Power Consumption	185W AC   165W DC
DC Input	24-48V DC
AC Input	100-240V AC, 50-60Hz
Power Port	XLR-3
DMX Port	XLR-5
Weight	Fixture: 8.0lbs / 3.6kg   Power supply: 3.1lbs / 1.4kg
Dimensions	11.1" x 7.8" x 15.7" / 28.2cm x 19.9cm x 39.8cm
Mount Type	Combo (baby stud female / junior stud male)
IP Rating	IP-X5 (water-resistant)
Thermal Design	Aluminum extrusion cooling system w/ fan
Operating Temperature	32 - 104°F / 0 - 40°C

### PHOTOMETRIC DATA



### OPTIONAL ACCESSORIES



5" Speed Ring



D-Tap Cable, 18" Curled



DC Jumper Cable, 6 ft