

User Manual

GUTEK

TORTOISE SERIES

T-300 20-Inch Protector Case

Guangdong NanGuang Photo&Video Systems Co., Ltd.
WWW.GUTEK.COM



Version: P00091-SM-002_C01

Certification

IP67 RoHS

Made in China

☎ 0754-85751187

☎ 0754-85300887

✉ info@gutek.com

📍 Dongli Section, Highway 324, Chenghai, Shantou City, Guangdong Province, China

OPTIONAL ACCESSORIES

AS-DV-T300 Protector Case Divider Kit

AS-LO-T300 Protector Case Lid Organizer

AS-MSL Motion Sensor LED Light for GUTEK Case

AS-EDV-T300 Protector Case Extra Divider

This manual has been compiled according to the rigorous testing by GUTEK. Product designs are subject to change without prior notice.

NOTICE

1. Please do not load in the protector case exceeding the maximum load capacity.
2. Please do not use the protector case in environments with temperatures of 80 C (176°F) and above.
3. Please contact with the place of purchase for replacement or purchase if the waterproof O-ring seal has corrosive, chapped or sticky problem.

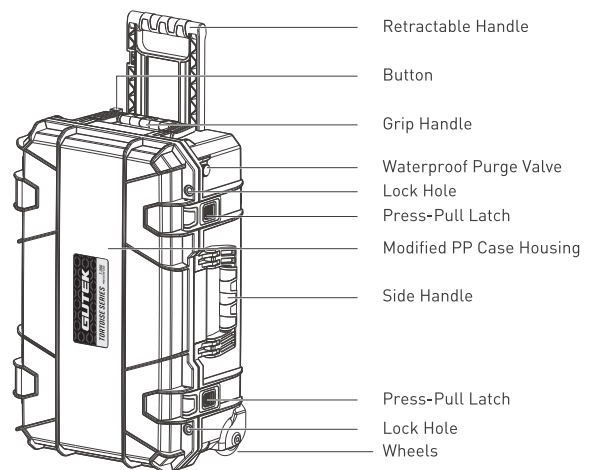
Weight	
Weight Empty	5.16 kg (11.38 lb)
Weight with Foam	5.63 kg (12.41 lb)
Max. Buoyancy	34 kg (74.96 lb)

Includes	
T-300 20-Inch Protector Case	1
Convolutid Lid Foam	1
Padded Divider	3
Bottom Foam	3
Double-sided Tape	1
User Manual	1
Greeting Card	1

TORTOISE SERIES

T-300 20-Inch eProtector Case

PRODUCT DETAILS



Color

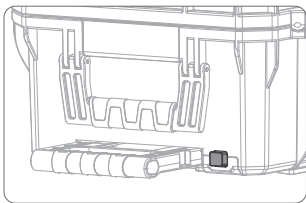
Black

Olive Drab Green

Material

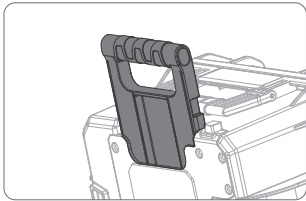
Housing	Modified Polypropylene
Waterproof O-ring Seal	Ethylene Propylene Diene Monomer
Foam	Polyurethane
Waterproof Purge Valve	Modified Polypropylene

STRUCTURE DESCRIPTION



Button

Press the button to pull out the retractable handle.

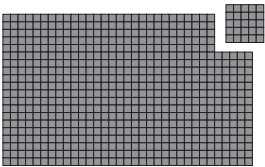
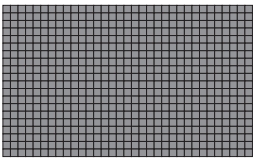


Retractable Handle

For convenient pull, solid and durable.

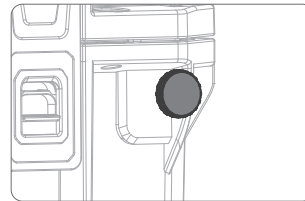
BASIC INFORMATION

Size	
Exterior Size (L×W×D)	560 × 355 × 230 mm (22.0 × 14.0 × 9.0")
Volume	0.046 m ³ (1.62 ft ³)
Interior Size (L×W×D)	515 × 300 × 180 mm (20.3 × 11.8 × 7.1")
Int Volume	30 L (1.06 ft ³)
Lid Depth	50 mm (1.97")
Bottom Depth	130 mm (5.12")
Padlock Hole Diameter	8 mm (0.31")
Max. Load Capacity	40 kg



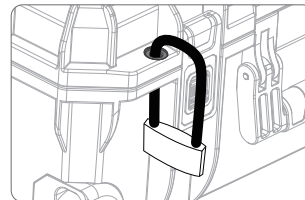
Padded Divider

Customized shape at will based on the size of devices, for impact resistant.



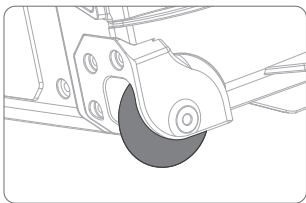
Waterproof Purge Valve

For equalizing air pressure, ensure easiness to open the case in extreme environment.



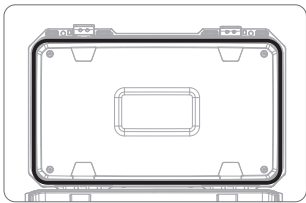
Lock Hole

Two lock holes for padlock on the case, for securing contents inside.



Wheels

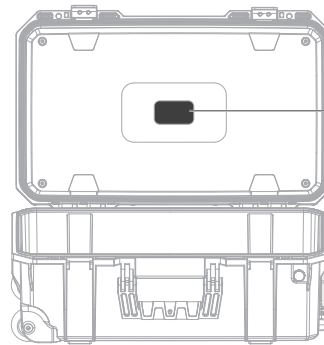
Rolling wheels, quiet and smooth.



Waterproof O-ring Seal

Embedded in the surrounding groove when the case is closed, providing watertight and dustproof function.

USAGE



Double-sided Tape

Stick on the case lid to consolidate the convoluted foam as required.