

VELVET Power 2 30° IP54

Ref.: VP2IP54

Datasheet: June 2021 / Page 1



Bicolor weatherproof concentrated long distance beam light LED panels

[Click here for more product information](#)

VP2IP54 includes: 1x VELVET Power 2 Flood 30° IP54 LED panel, 1x yoke with 28mm junior pin-16mm baby receiver



1. Power switch
2. XLR-3 DC In
3. +/- Adjustment buttons
4. 3200K/ 5600K Quick access button
5. Mode selection button (Dimmer/ Colour Temp)
6. Digital display
7. XLR-5 DMX In & Out



VELVET Power 2 30° IP54

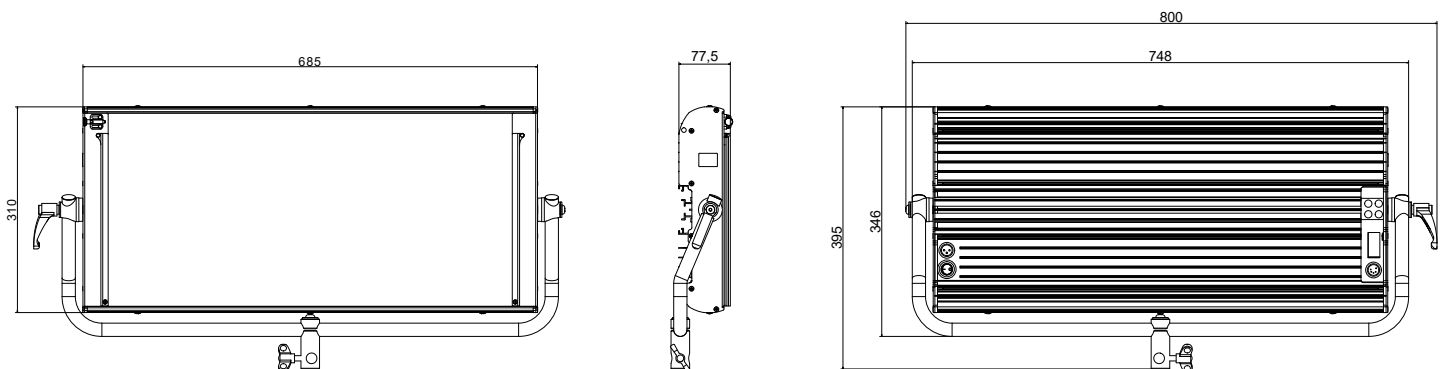
Ref.: VP2IP54

Datasheet: June 2021 / Page 2



COLOUR TEMPERATURE	adjustable from 2700K to 6500K in 100K steps
LIGHT INTENSITY	dimnable 0 to 100, smooth and flicker-free
TLCI	98 at 3200K and 97 at 5600K
DIMENSIONS	690x308x68mm / 27"x12"x2.7" panel 815x430x68mm / 32"x17"x2.7" panel + yoke
WEIGHT	7 kgs / 15,5 lbs panel 7.6kgs / 16.7 lbs panel + yoke
POWER DRAW	190W
POWER SUPPLY	24-35V DC via XLR3 V-Lock or Gold mount battery plate 90-264V AC 50/60Hz
PHOTOMETRICS	25000 lux / 2315 fc at 1m / 3 feet 4000 lux / 370 fc at 3m / 10 feet 1000 lux / 93 fc at 6m / 20 feet
BEAM ANGLE	30° nominal with filter D25 45° D50 60° D100 105° DVELVET 115°
LED RATED LIFE	more than 50,000 hours
OUTPUT FREQUENCY	16KHz flicker-free up to 2000fps
COOLING	no-noise, fan-free passive cooling
PROTECTION	IP54 weatherproof, indoor or outdoor use
CONSTRUCTION & FINISH	Made of black powdercoated extruded and sheet aluminum
VELVET LED TECHNOLOGY	selected BIN high-power LED + VELVET custom optics + CPU software control
ACCESSORIES	Quarter, half and full hard diffusion, foldable Snapbag diffuser kit, foldable 20°, 40° or 60° Snapgrids, removable barndoors, AC power adapter, V-Lock or Gold Mount battery mounts, remote control, Cordura carrying bag, hard case
RIGGING OPTIONS	aluminum yoke with 16 baby receiver combined with 28 junior pin, multiple 1/4-20" rigging points, multipanels yokes, pole-operated studio yoke

WIRE VIEW



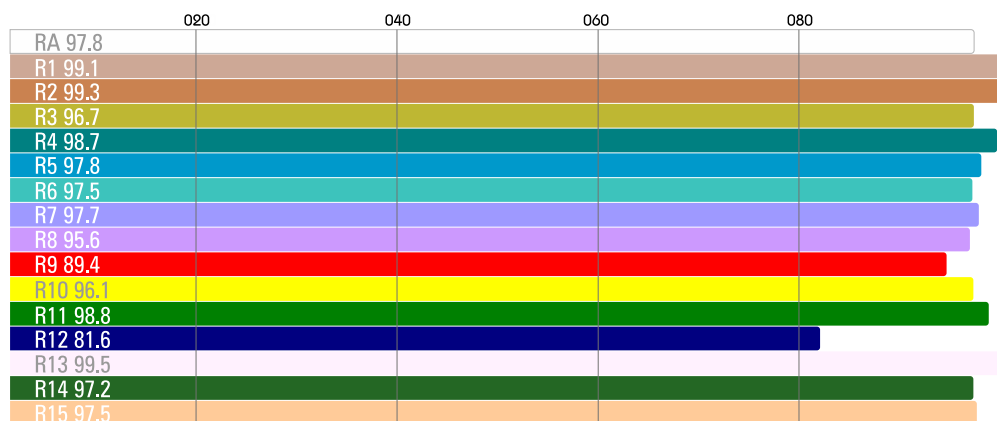
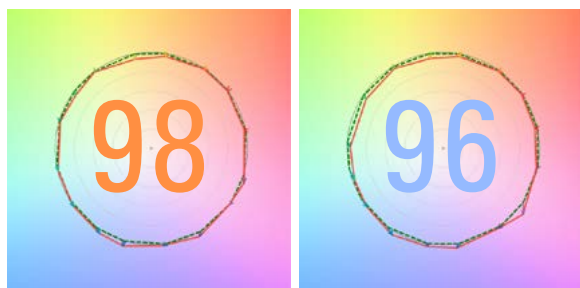
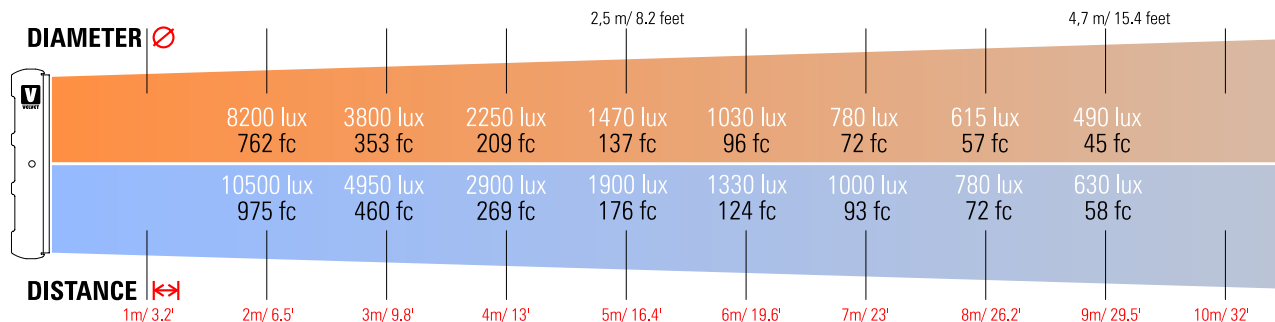
VELVET Power 2 30° IP54

Ref.: VP2IP54

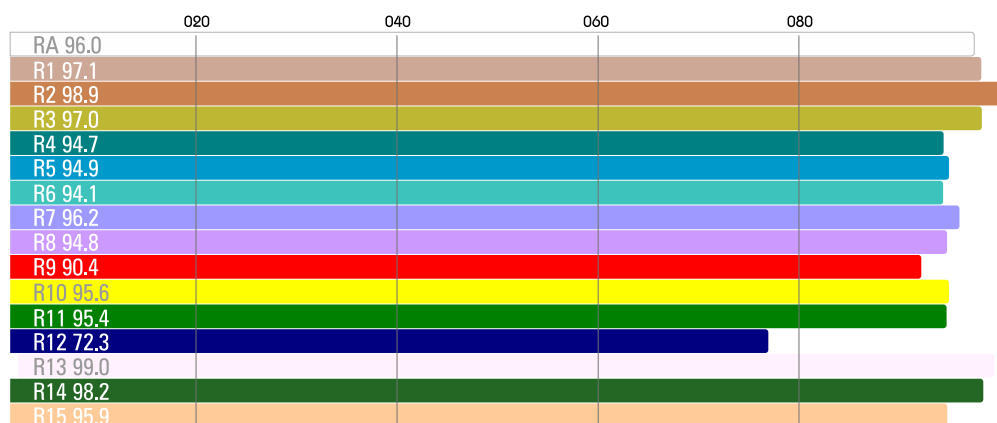
Datasheet: June 2021 / Page 3



PHOTOMETRICS



CCT 3220K



CCT 5440K

VELVET Power 2 30° IP54

Ref.: VP2IP54

Datasheet: June 2021 / Page 4



ACCESSORIES

POWER SUPPLY



VP2IP54-PSU

BATTERY ADAPTERS



VLOCK

VL2-



VL2-GOLD

BEAM CONTROL



VL2-RB



VP2-D25



VP2-D50



VP2-D100



VP2-DVL



VP2-FBAG



VL2-SG



VL2-SG20



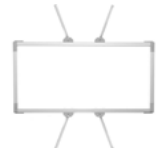
VL2-SG60



VL2-SB



VL2-SGXSB



2X1-RABBITREC



OCTA-SBR05

TRANSPORT



VL2-BAG



VL2-CASE

RIGGING



VL2-QLS



VL2-YPO

REMOTE CONTROL



VL-RC